

EiceDRIVER™ - IGBT/MOSFET Gate Driver ICs; Package: PG-DSO-20; Topology: Single (Automotive Qualified); V: 1,200.0 V; I_o+/-: 2,000.0 mA; Turn On Propagation Delay (max): 250.0 ns; T_j (max): 150.0 degC

Manufacturers	<u>Infinion Technologies Corporation</u>
Package/Case	SOP-20
Product Type	Transistors
RoHS	
Lifecycle	



Images are for reference only

Please submit RFQ for 1ED020I12FA or [Email to us: sales@ovaga.com](mailto:sales@ovaga.com) We will contact you in 12 hours.

[RFQ](#)

General Description

1ED020I12FA is a part number of a high-frequency gate driver IC (integrated circuit) produced by Infineon Technologies.

Features

It is a high-side and low-side driver IC with a voltage rating of 1200V and a current rating of 2A

It has an integrated bootstrap functionality which simplifies the design of the gate drive circuitry

The IC has integrated short circuit protection and under-voltage lockout features

It operates at high frequencies up to 1 MHz which makes it suitable for applications such as switch-mode power supplies and motor drives

Application

Motor drives

Switch-mode power supplies

Solar inverters

UPS (Uninterruptible Power Supplies)

Welding equipment



Pin	Symbol	Function
1	VEE2	Negative power supply output side
2	VEE2	Negative power supply output side
3	DESAT	Desaturation protection
4	GND2	Signal ground output side
5	NC	Not connected
6	VCC2	Positive power supply output side
7	OUT	Driver output
8	CLAMP	Miller clamping
9	VEE2	Negative power supply output side
10	VEE2	Negative power supply output side
11	GND1	Signal ground input side
12	GND1	Signal ground input side
13	IN+	Non inverted driver input
14	IN-	Inverted driver input
15	RDY	Ready output
16	$\overline{\text{FLT}}$	Fault output
17	$\overline{\text{RST}}$	Reset input
18	VCC1	Positive power supply input side
19	GND1	Signal ground input side
20	GND1	Signal ground input side

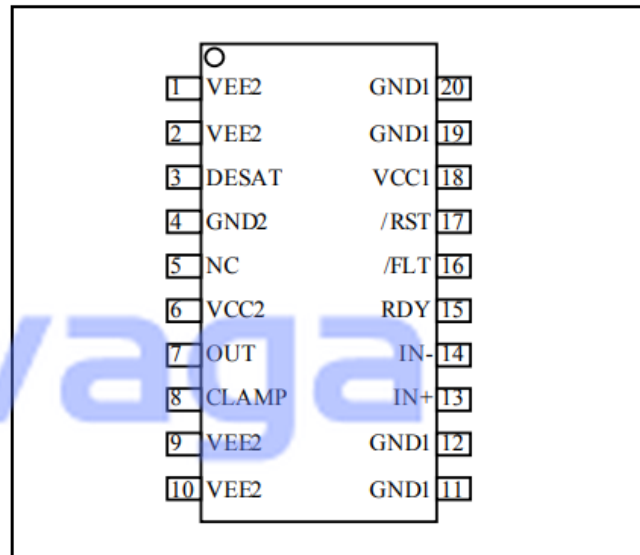


Figure 4: PG-DSO-20-55

Related Products



[PTFA211801E](#)

Infineon Technologies Corporation
MODULE



[BSC011N03LS](#)

Infineon Technologies Corporation
PG-TDSON-8



[IPB180N06S4-H1](#)

Infineon Technologies Corporation
PG-TO263-7-3



[IPW65R080CFD](#)

Infineon Technologies Corporation
TO-247



[BSP613P](#)

Infineon Technologies Corporation
SOT-223



[IPP60R070CFD7](#)

Infineon Technologies Corporation
TO-220-3



[IPG20N04S4-12](#)

Infineon Technologies Corporation
TDSON-8



[IPD25N06S4L-30](#)

Infineon Technologies Corporation
PG-TO252-3