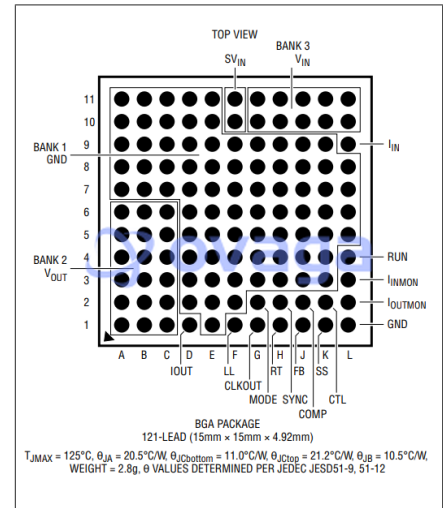


IC MOD BUCK REG 36VIN 121BGA

Manufacturers	<a href="#">Analog Devices, Inc</a>
Package/Case	BGA-121
Product Type	Power Management ICs
RoHS	
Lifecycle	



Images are for reference only

Please submit RFQ for LTM8055IY#PBF or [Email to us: sales@ovaga.com](mailto:sales@ovaga.com) We will contact you in 12 hours.

[RFQ](#)

## General Description

The LTM8055 is a 36VIN, buck-boost  $\mu$ Module<sup>®</sup> (micromodule) regulator. Included in the package are the switching controller, power switches, inductor and support components. A resistor to set the switching frequency, a resistor divider to set the output voltage, and input and output capacitors are all that are needed to complete the design. Other features such as input and output average current regulation may be implemented with just a few components. The LTM8055 operates over an input voltage range of 5V to 36V, and can regulate output voltages between 1.2V and 36V. The SYNC input and CLKOUT output allow easy synchronization.

The LTM8055 is housed in a compact overmolded ball grid array (BGA) package suitable for automated assembly by standard surface mount equipment. The LTM8055 is RoHS compliant.

LTM8054 LTM8055 LTM8056 VIN (Operation) 36V 36V 36V Abs Max 40V 40V 40V VOUT Abs Max 40V 40V 40V IOUT (Peak) 24VIN, 12VOUT 5.48A 5.55A 5.55A Package 15 × 11.25mm × 3.42mm BGA 15 × 15mm × 4.92mm BGA Pin and Function Compatible

## Features

Complete Buck-Boost Switch Mode Power Supply

VOUT Equal, Greater, Less Than VIN

Wide Input Voltage Range: 5V to 36V

12V/3A Output from 6VIN

12V/6A Output from 12VIN

12V/8.5A Output from 24VIN

Up to 97.5% Efficient

Adjustable Input and Output Average Current Limits

Input and Output Current Monitors

Parallelable for Increased Output Current

Wide Output Voltage Range: 1.2V to 36V

Selectable Switching Frequency: 100kHz to 800kHz

Synchronization from 200kHz to 700kHz

15mm × 15mm × 4.92mm BGA Package

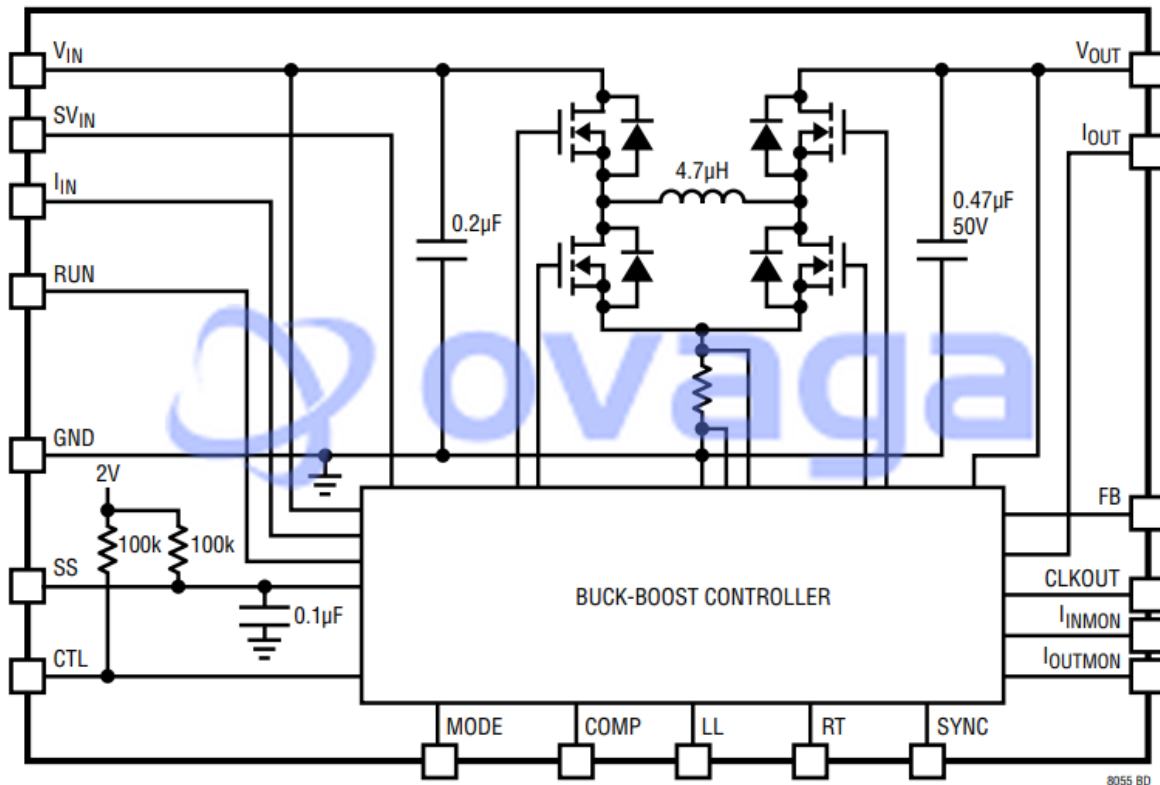
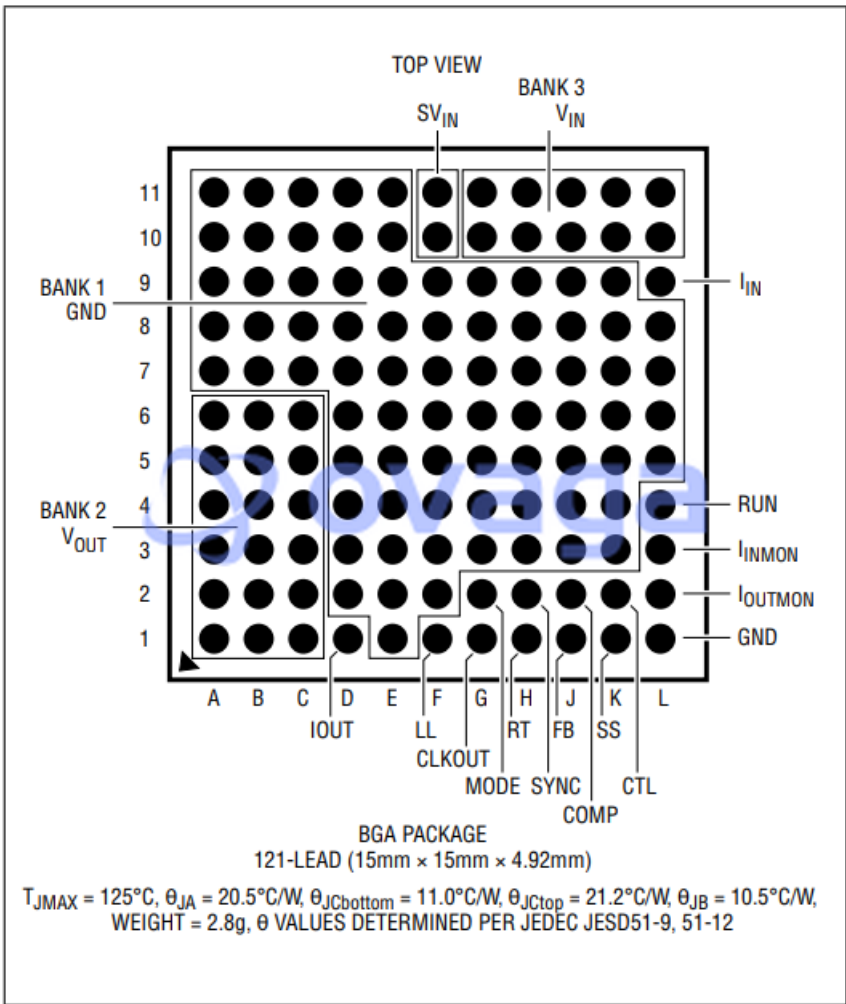
## Application

High Power Battery-Operated Devices

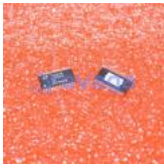
Industrial Control

Solar Powered Voltage Regulator

Solar Powered Battery Charging

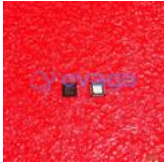


## Related Products



### [LT3763EFE](#)

Analog Devices, Inc  
TSSOP28



### [LTC4417IUF](#)

Analog Devices, Inc  
QFN-24



### [LTC1966CMS8#PBF](#)

Analog Devices, Inc  
MSOP-8P



### [LTM8045EX#PBF](#)

Analog Devices, Inc  
BGA40



### [LT1038CK](#)

Analog Devices, Inc  
TO-3



### [LTC3440EMS](#)

Analog Devices, Inc  
MSOP10



### [LTC2990IMS#PBF](#)

Analog Devices, Inc  
10MSOP



### [LT4295IUFD#PBF](#)

Analog Devices, Inc  
28-WFQFN