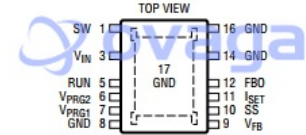


Conv DC-DC 4V to 65V Synchronous Step Down Single-Out 0.8V to 65V 0.5A  
Automotive 12-Pin MSOP EP Tube

Manufacturers	<a href="#">Analog Devices, Inc</a>
Package/Case	MSOP16
Product Type	Power Management ICs
RoHS	
Lifecycle	



Images are for reference only

Please submit RFQ for LTC3630EMSE#PBF or [Email to us: sales@ovaga.com](mailto:sales@ovaga.com) We will contact you in 12 hours.

[RFQ](#)

## General Description

The LTC3630 is a high efficiency step-down DC/DC converter with internal high side and synchronous power switches that draws only 12 $\mu$ A typical DC supply current while maintaining a regulated output voltage at no load.

The LTC3630 can supply up to 500mA load current and features a programmable peak current limit that provides a simple method for optimizing efficiency and for reducing output ripple and component size. The LTC3630's combination of Burst Mode<sup>®</sup> operation, integrated power switches, low quiescent current, and programmable peak current limit provides high efficiency over a broad range of load currents.

With its wide input range of 4V to 65V, the LTC3630 is a robust converter suited for regulating a wide variety of power sources. Additionally, the LTC3630 includes a precise run threshold and soft-start feature to guarantee that the power system start-up is well-controlled in any environment. A feedback comparator output enables multiple LTC3630s to be paralleled in higher current applications.

The LTC3630 is available in the thermally-enhanced 3mm  $\times$  5mm DFN and the MSE16 packages.

Vin Range LTC3630 4.5V to 65V LTC3630A 4.5V to 76V

## Features

Wide Operating Input Voltage Range: 4V to 65V

Synchronous Operation for Highest Efficiency

Internal High Side and Low Side Power MOSFETs

No Compensation Required

Adjustable 50mA to 500mA Maximum Output Current

Low Dropout Operation: 100% Duty Cycle

Low Quiescent Current: 12 $\mu$ A

Wide Output Range: 0.8V to VIN

0.8V  $\pm$ 1% Feedback Voltage Reference

Precise RUN Pin Threshold

Internal and External Soft-Start

Programmable 1.8V, 3.3V, 5V or Adjustable Output

Few External Components Required

Low Profile (0.75mm) 3mm  $\times$  5mm DFN and Thermally-Enhanced MSE16 Packages

## Application

Industrial Control Supplies

Medical Devices

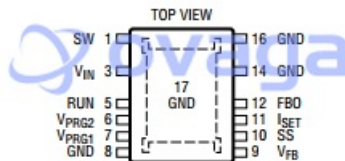
Distributed Power Systems

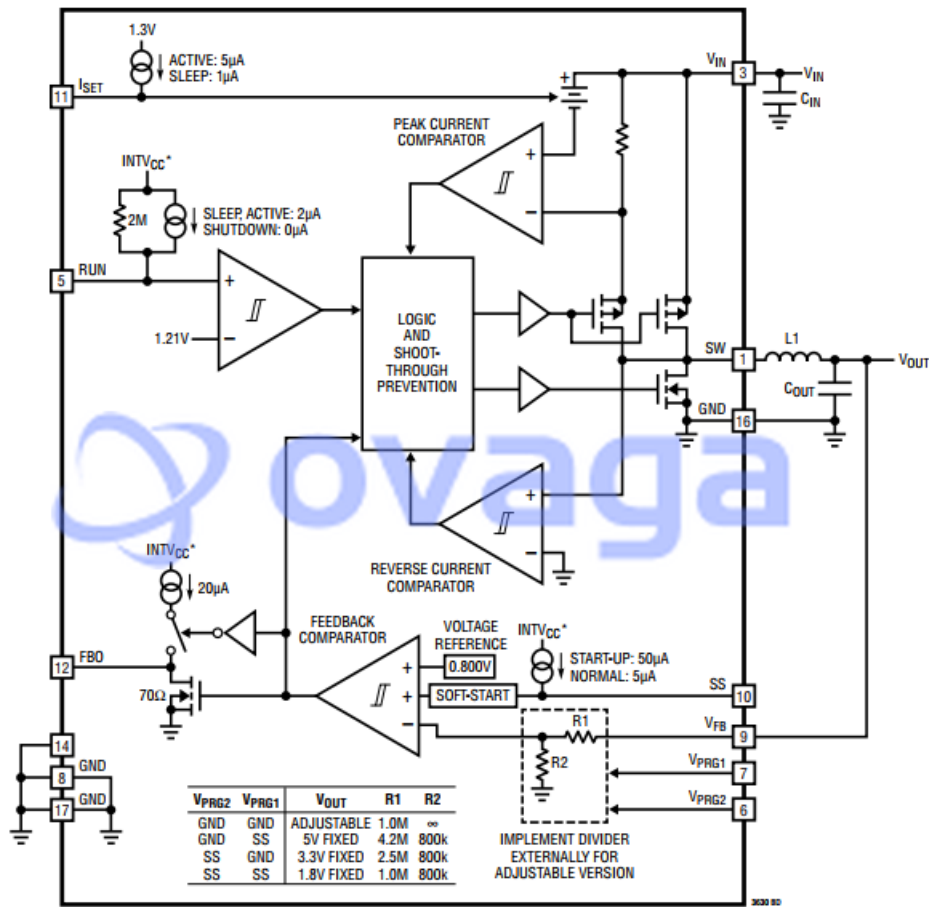
Portable Instruments

Battery-Operated Devices

Automotive

Avionics





## Related Products



### [LT3763EFE](#)

Analog Devices, Inc  
TSSOP28



### [LTC4417IUF](#)

Analog Devices, Inc  
QFN-24



### [LTC1966CMS8#PBF](#)

Analog Devices, Inc  
MSOP-8P



### [LTM8045EX#PBF](#)

Analog Devices, Inc  
BGA40



### [LT1038CK](#)

Analog Devices, Inc  
TO-3



### [LTC3440EMS](#)

Analog Devices, Inc  
MSOP10



### [LTC2990IMS#PBF](#)

Analog Devices, Inc  
10MSOP



### [LT4295IUFD#PBF](#)

Analog Devices, Inc  
28-WFQFN