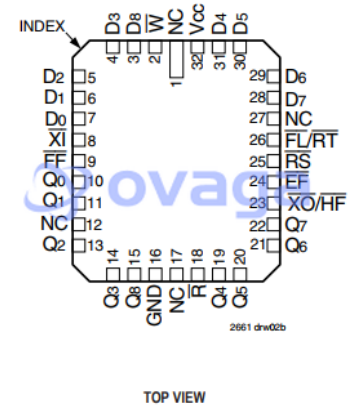


IC FIFO 4096X18 15NS 32PLCC; HT SUSAS CODE:8542320070

Manufacturers	<u>Renesas Technology Corp</u>
Package/Case	PLC32
Product Type	FIFO
RoHS	
Lifecycle	



Images are for reference only

Please submit RFQ for 7205L15J or [Email to us: sales@ovaga.com](mailto:sales@ovaga.com) We will contact you in 12 hours.

[RFQ](#)

General Description

Features

Pin and functionally compatible with 720X family

Low power consumption

Ultra high speed—12ns access time

Asynchronous and simultaneous read and write

Fully expandable by both word depth and/or bit width

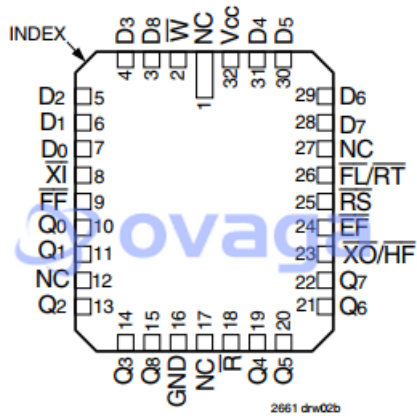
Status Flags: Empty, Half-Full, Full

Auto-retransmit capability

MIL-STD-883, Class B available in 28 pin (300 & 600 mil) Cerdip and 32 pin LCC packages

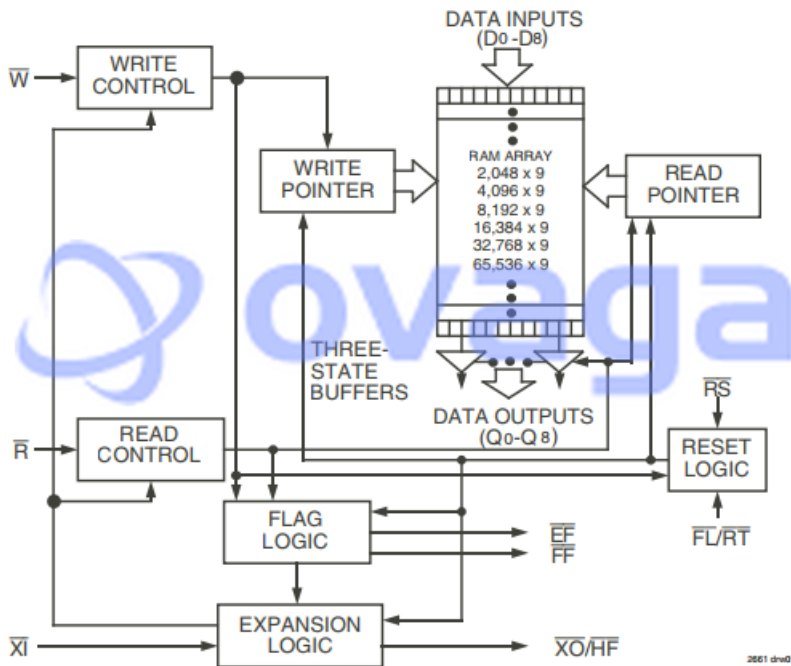
Industrial temperature range (-40C to +85C) is available

Available in 28 pin PDIP (300 & 600 mil), and 32 pin PLCC packages



TOP VIEW

FUNCTIONAL BLOCK DIAGRAM



Related Products



[7204L25JI](#)

Renesas Technology Corp
32-LCC (J-Lead)



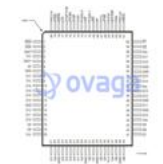
[72V36110L10PF](#)

Renesas Technology Corp
TQFP-100



[72V275L15PF](#)

Renesas Technology Corp
TQFP-64



[72V2113L10PFI](#)

Renesas Technology Corp
TQFP-80



[7201LA50TDB](#)

Renesas Technology Corp
CDIP28



[72V261LA10TEG](#)

Renesas Technology Corp
64-LQFP



[7204L12J](#)

Renesas Technology Corp
32-LCC (J-Lead)



[7207L20DB](#)

Renesas Technology Corp
CDIP-28