

4x4 1.5 Gbps LVDS Crosspoint Switch 38-TSSOP -40 to 85

Manufacturers	Analog Devices, Inc
Package/Case	SOIC-16
Product Type	Interface ICs
RoHS	
Lifecycle	



Images are for reference only

Please submit RFQ for MAX352CSE or [Email to us: sales@ovaga.com](mailto:sales@ovaga.com) We will contact you in 12 hours.

[RFQ](#)

General Description

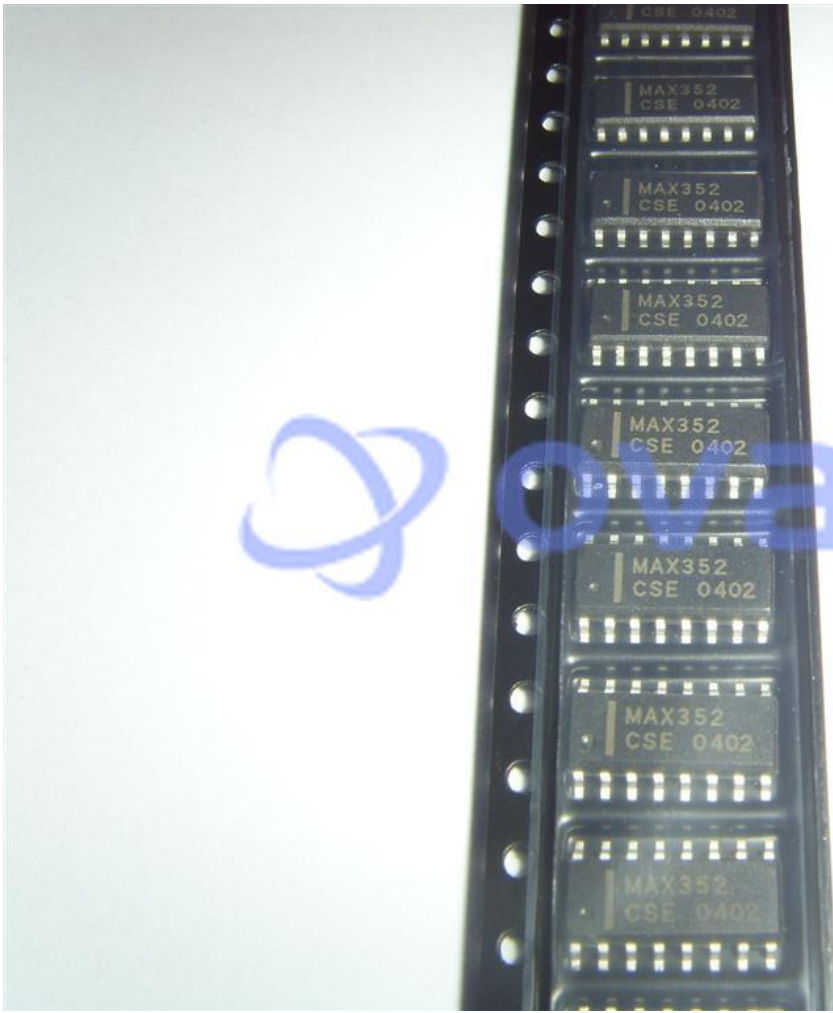
MAX352CSE is a high-speed, low-power, 16-channel analog multiplexer/demultiplexer integrated circuit (IC) manufactured by Maxim Integrated.

Features

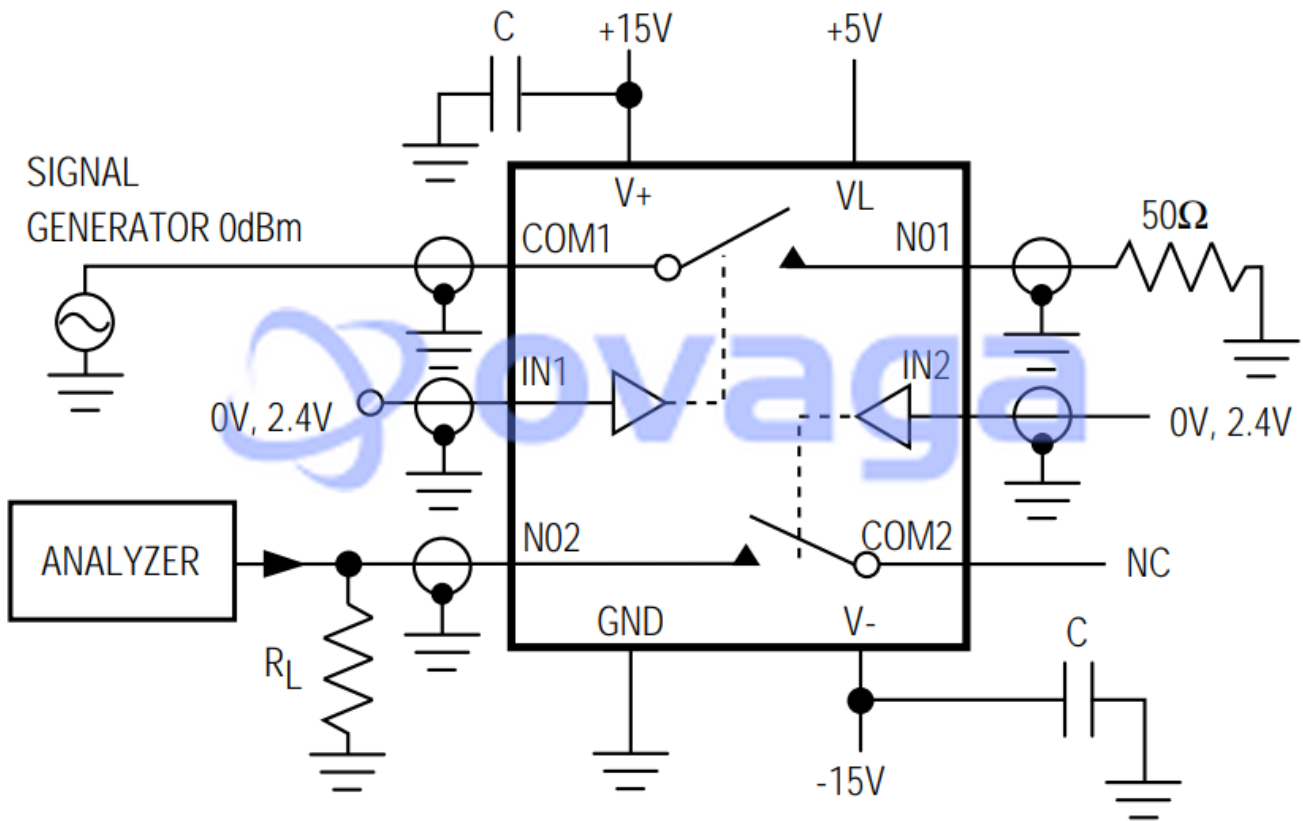
- 16 channels
- Low on-resistance (3 Ohms)
- Low power consumption (10 μ A maximum supply current)
- Wide operating voltage range (2V to 16.5V)
- High switching speed = 20ns)

Application

- Industrial control systems
- Test equipment
- Data acquisition systems
- Audio and video signal routing
- Medical instrumentation



Ovaga



Related Products



[MAX3232EEUE](#)

Analog Devices, Inc
TSSOP-16



[MAX202CSE](#)

Analog Devices, Inc
SOP-16



[MAX3221EEUE](#)

Analog Devices, Inc
TSSOP-16



[MAX490MJA](#)

Analog Devices, Inc
CDIP-8



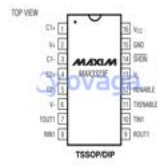
[MAX4544EUT+T](#)

Analog Devices, Inc
SOT-23-6



[MAX485ECPA](#)

Analog Devices, Inc
DIP-8



[MAX3323EEUE](#)

Analog Devices, Inc
TSSOP-16



[MAX3232EUE](#)

Analog Devices, Inc
TSSOP-16