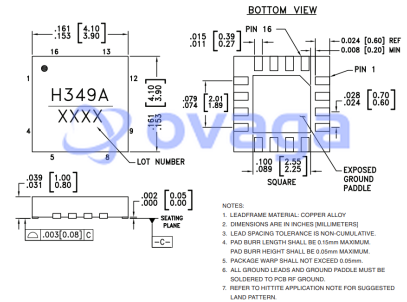


RF Switch SPDT 0MHz to 4GHz 55dB 16-Pin QFN EP T/R

Manufacturers	<a href="#">Analog Devices, Inc</a>
Package/Case	QFN-16
Product Type	RF Switches
RoHS	Pb-free Halide free
Lifecycle	

Outline Drawing



Images are for reference only

Please submit RFQ for HMC349ALP4CE or [Email to us: sales@ovaga.com](mailto:sales@ovaga.com) We will contact you in 12 hours.

[RFQ](#)

## General Description

The HMC349ALP4CE is a gallium arsenide (GaAs), single-pole, double throw (SPDT) switch, specified from 100 MHz to 4 GHz.

The HMC349ALP4CE is well suited for wireless infrastructure applications by yielding high isolation of 62 dB, low insertion loss of 1.0 dB, high input IP3 of 53 dBm, and high input P1dB of 34 dBm.

The HMC349ALP4CE operates with a single, positive supply voltage from 3 V to 5 V and provides a CMOS-/TTL-compatible control interface.

The HMC349ALP4CE comes in a 16-lead, 4 mm × 4 mm, RoHS compliant, lead frame chip scale package (LFCSP).

## Features

Nonreflective, 50  $\Omega$  design

High isolation: 62 dB to 2 GHz

Low insertion loss: 1.0 dB to 2 GHz

High input linearity

1 dB power compression (P1dB): 34 dBm (typical)

Third-order intercept (IP3): 53 dBm (typical)

High power handling

33.5 dBm through path,>

26.5 dBm terminated path

Single, positive supply: 3 V to 5 V

CMOS-/TTL-compatible control

All off state control

16-lead, 4 mm  $\times$  4 mm LFCSP

Pin-compatible with the HMC8038

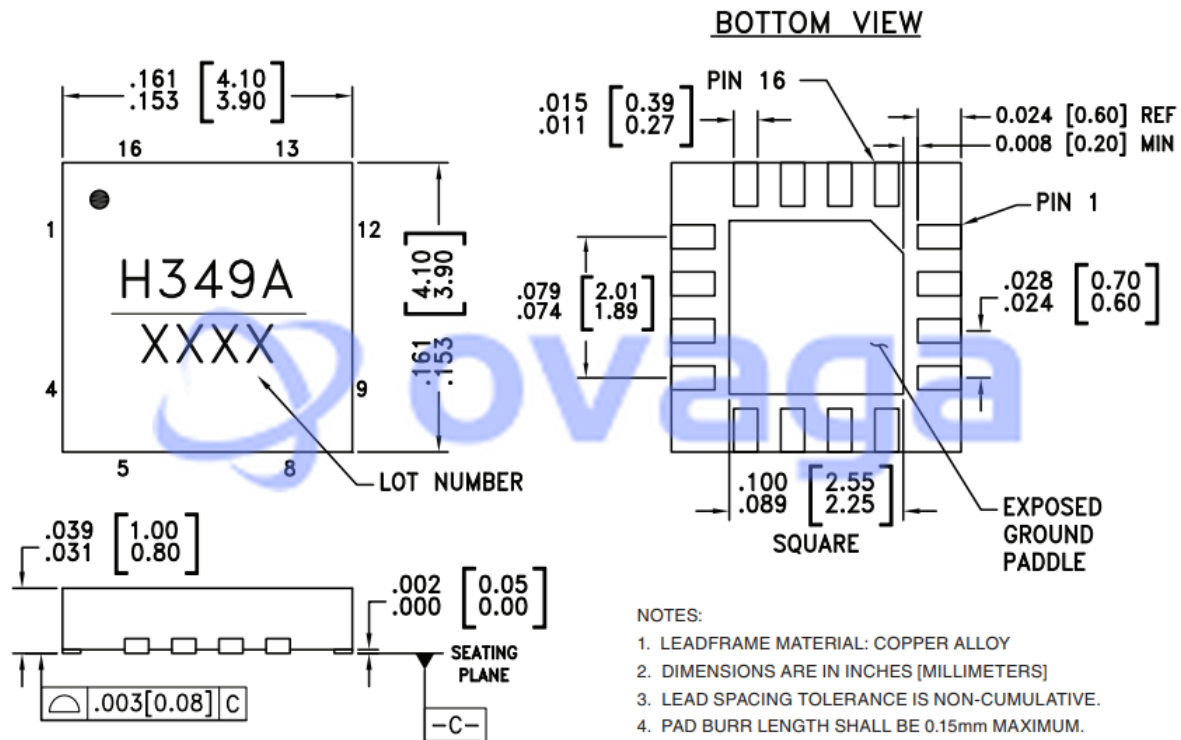
## Application

Wireless infrastructure

Mobile radios

Test equipment

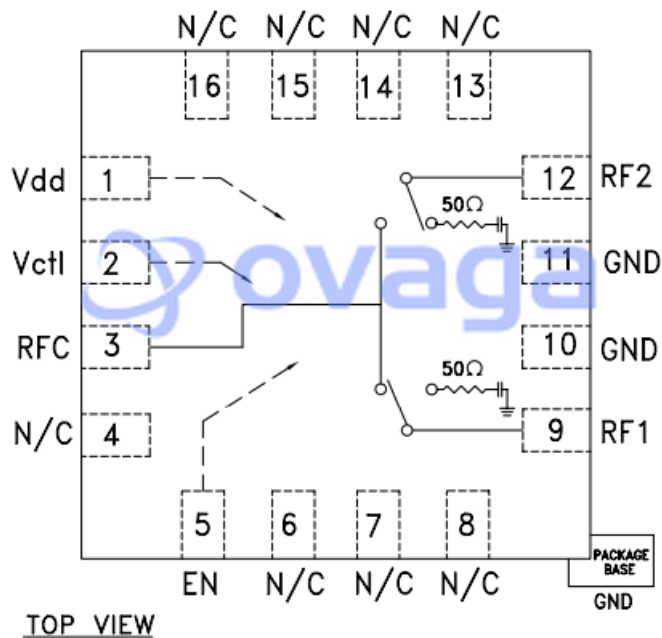
## Outline Drawing



### NOTES:

1. LEADFRAME MATERIAL: COPPER ALLOY
2. DIMENSIONS ARE IN INCHES [MILLIMETERS]
3. LEAD SPACING TOLERANCE IS NON-CUMULATIVE.
4. PAD BURR LENGTH SHALL BE 0.15mm MAXIMUM.  
PAD BURR HEIGHT SHALL BE 0.05mm MAXIMUM.
5. PACKAGE WARP SHALL NOT EXCEED 0.05mm.
6. ALL GROUND LEADS AND GROUND PADDLE MUST BE SOLDERED TO PCB RF GROUND.
7. REFER TO HITTITE APPLICATION NOTE FOR SUGGESTED LAND PATTERN.

## Functional Diagram



## Related Products



[HMC3653LP3BE](#)

Analog Devices, Inc  
QFN-12



[HMC441LP3E](#)

Analog Devices, Inc  
QFN-16



[HMC253AQS24](#)

Analog Devices, Inc  
24-SSOP (0.154, 3.90mm Width)



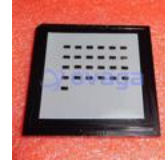
[HMC948LP3E](#)

Analog Devices, Inc  
LP3



[HMC358MS8GE](#)

Analog Devices, Inc  
MSOP-8



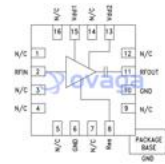
[HMC490](#)

Analog Devices, Inc  
SMD



[HMC453ST89E](#)

Analog Devices, Inc  
ST89E



[HMC618ALP3E](#)

Analog Devices, Inc  
QFN-16