

High Precision, Wide-Band RMS-to-DC Converter

Manufacturers	Analog Devices, Inc
Package/Case	DIP-14
Product Type	Power Management ICs
RoHS	
Lifecycle	



Images are for reference only

Please submit RFQ for AD637KD or [Email to us: sales@ovaga.com](mailto:sales@ovaga.com) We will contact you in 12 hours.

[RFQ](#)

General Description

AD637KD is a specific integrated circuit (IC) manufactured by Analog Devices. It is a high precision, low noise, true RMS-to-DC converter that is primarily used for accurate measurement of AC signals.

Features

- Wide input voltage range from 200mV to 300mV RMS
- Low power consumption of 1.25mW at 5V
- High accuracy with an error of less than 0.1% for input frequencies up to 1kHz
- Fast response time of 300 μ s
- Low noise with an input referred voltage noise of 10nV/ $\sqrt{\text{Hz}}$
- Operating temperature range of -40°C to +85°C

Application

- AC signal measurements
- Power quality monitoring
- Power factor correction
- Motor control
- Audio processing
- Frequency response analysis



FUNCTIONAL BLOCK DIAGRAM

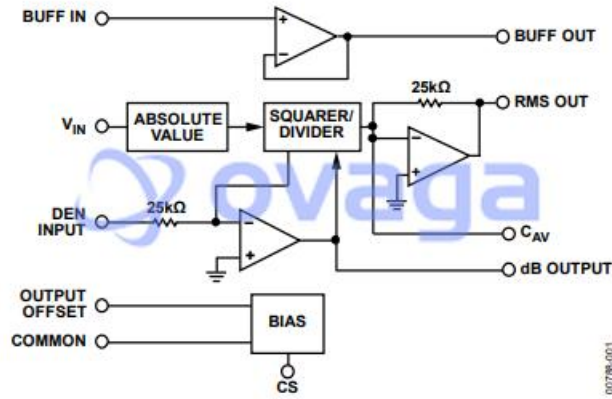


Figure 1.

0078-001

Related Products



[ADP3336ARMZ-REEL7](#)

Analog Devices, Inc
MSOP-8



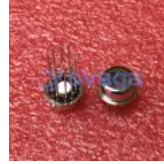
[AD737JRZ](#)

Analog Devices, Inc
SOP-8



[ADP3367ARZ](#)

Analog Devices, Inc
SOIC-8



[AD636JH](#)

Analog Devices, Inc
TO-100-10



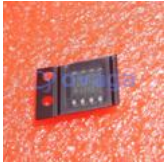
[ADP3330ARTZ3.3-RL7](#)

Analog Devices, Inc
SOT-23-6



[ADR434BRZ](#)

Analog Devices, Inc
SOIC-8



[ADR421ARZ](#)

Analog Devices, Inc
SOP-8



[ADR3412ARJZ-R7](#)

Analog Devices, Inc
SOT-23-6