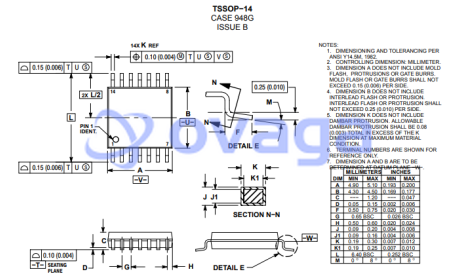


3-44V Quad Channel Operational Amplifier with 3mV VIO, Ta = -40 to +125°C - Pb-free, Qualified for Automotive use; Package: TSSOP-14; No of Pins: 14; Container: Tape and Reel; Qty per Container: 2500, Op Amps ANA HI-SPD/S.S. QUAD O.A

Manufacturers	ON Semiconductor, LLC
Package/Case	TSSOP-14
Product Type	Amplifier ICs
RoHS	Rohs
Lifecycle	



Images are for reference only

Please submit RFQ for NCV33074ADTBR2G or [Email to us: sales@ovaga.com](mailto:sales@ovaga.com) We will contact you in 12 hours.

[RFQ](#)

General Description

Quality bipolar fabrication with innovative design concepts are employed for the MC33071/72/74, MC34071/72/74, NCV33072/74A series of monolithic op-amps. These op-amps offer 4.5 MHz of gain bandwidth product, 13 V/μs slew rate and fast settling time without the use of JFET device technology. Although this series can be operated from split supplies, it is particularly suited for single supply operation, since the common mode input voltage range includes ground potential (VEE). With a Darlington input stage, this series exhibits high input resistance, low input offset voltage and high gain. The all NPN output stage, characterized by no deadband crossover distortion and large output voltage swing, provides high capacitance drive capability, excellent phase and gain margins, low open loop high frequency output impedance and symmetrical source/sink AC frequency response. The MC33071/72/74, MC34071/72/74, NCV33072/74A series of devices are available in standard or prime performance (A Suffix) grades and are specified over the commercial, industrial/vehicular or military temperature ranges. The complete series of single, dual and quad operational amplifiers are available in plastic DIP, SOIC and TSSOP surface mount packages.

Features

Wide Bandwidth: 4.5 MHz

High Slew Rate: 13 V/ μ s

Fast Settling Time: 1.1 μ s to 0.1%

Wide Single Supply Operation: 3.0 V to 44 V

Wide Input Common Mode Voltage Range: Includes Ground (VEE)

Low Input Offset Voltage: 3.0 mV Maximum (A Suffix)

Large Output Voltage Swing: -14.7 V to +14 V (with \pm 15 V Supplies)

Large Capacitance Drive Capability: 0 pF to 10,000 pF

Low Total Harmonic Distortion: 0.02%

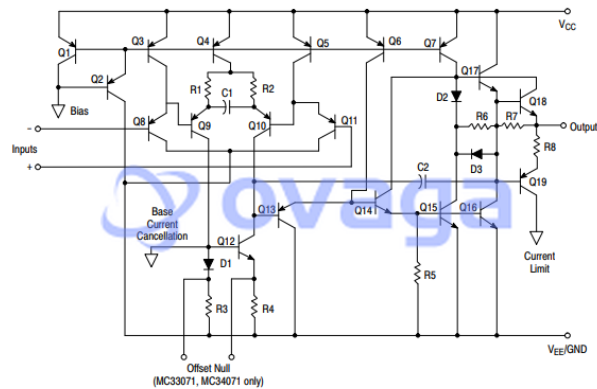
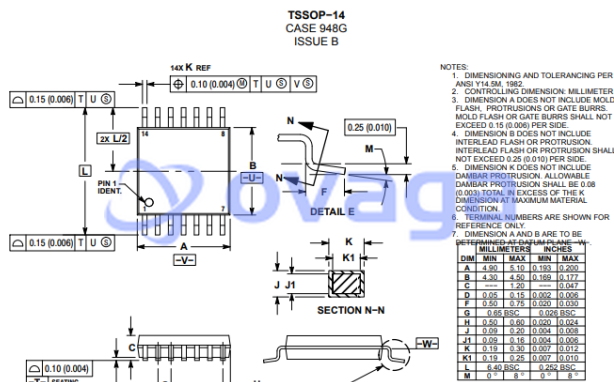
Excellent Phase Margin: 60°

Excellent Gain Margin: 12 dB

Output Short Circuit Protection

Application

ONSEMI



Related Products



[NCV3320VDR2G](#)

ON Semiconductor, LLC

SOIC-8



[NCV2001SN2TIG](#)

ON Semiconductor, LLC

TSOP-5



[NCP2820MUTBG](#)

ON Semiconductor, LLC

UDFN-8



[NCV7351D1ER2G](#)

ON Semiconductor, LLC

SOIC-8



[NCV33272ADR2G](#)

ON Semiconductor, LLC
SOIC-8



[NCV33274ADTBR2G](#)

ON Semiconductor, LLC
TSSOP-14



[NCS20072DTBR2G](#)

ON Semiconductor, LLC
TSSOP-8



[NCV33274ADR2G](#)

ON Semiconductor, LLC
SOIC-14