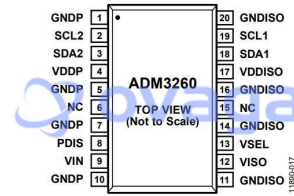


Digital Isolator 4-CH 20-Pin SSOP T/R

Manufacturers	<u>Analog Devices, Inc</u>
Package/Case	20SSOP
Product Type	Interface ICs
RoHS	Pb-free Halide free
Lifecycle	



NOTES  
1. NC = NO CONNECT. DO NOT CONNECT TO THIS PIN

Images are for reference only

Please submit RFQ for ADM3260ARSZ-RL7 or [Email to us: sales@ovaga.com](mailto:sales@ovaga.com) We will contact you in 12 hours.

[RFQ](#)

## General Description

Based on the iCoupler® and isoPower® chip scale transformer technology, the ADM3260 is a hot swappable digital and power isolator with two nonlatching, bidirectional communication channels, supporting a complete isolated I2C interface, and an integrated isolated dc-to-dc converter, supporting up to 150 mW of isolated power conversion.

iCoupler is a chip scale transformer technology with functional, performance, size, and power consumption advantages as compared to optocouplers. The bidirectional I2C channels eliminate the need for splitting I2C signals into separate transmit and receive signals for use with standalone optocouplers.

Based on the Analog Devices, Inc., isoPower technology, the on-chip isolated dc-to-dc converter provides a regulated, isolated voltage of 3.15 V to 5.25 V with up to 150 mW of output power.

With the ADM3260, the iCoupler and isoPower channels, along with the I2C transceivers, can be integrated with semiconductor circuitry, which enables a complete isolated I2C interface and allows the power converter to be implemented in a small form factor. The ADM3260 is available in 20-lead SSOP package and has an operating temperature range of -40°C to +105°C.

isoPower uses high frequency switching elements to transfer power through its transformer. Special care must be taken during printed circuit board (PCB) layout to meet emissions standards. See the AN-0971 Application Note for board layout recommendations.

## Features

isoPower integrated, isolated dc-to-dc converter

Regulated 3.15 V to 5.25 V output

Up to 150 mW output power

High common-mode transient immunity: >25 kV/μs

iCoupler integrated I2C digital isolator

Bidirectional I2C communication

3.0 V to 5.5 V supply/logic levels

Open-drain interfaces

Suitable for hot swap applications

30 mA current sink capability

1000 kHz maximum frequency

20-lead SSOP package with 5.3 mm creepage

High temperature operation: 105°C

See data sheet for additional features

## Application

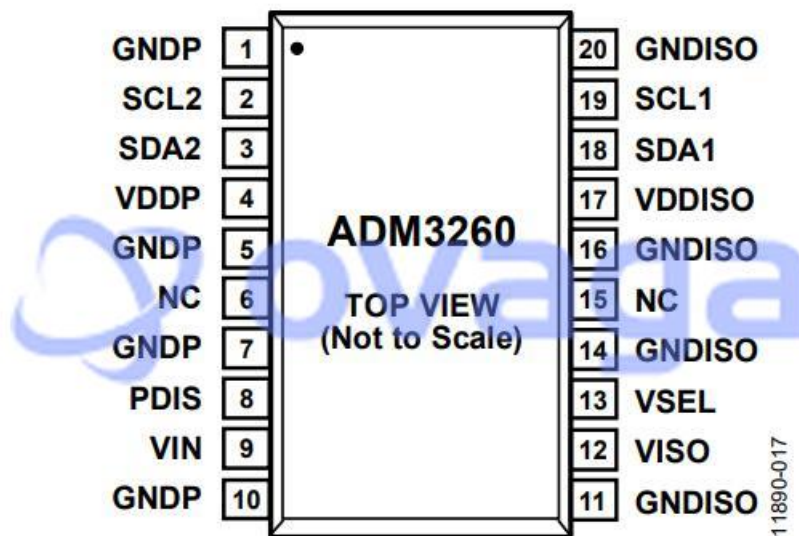
Isolated I2C, SMBus, and PMBus interfaces

Multilevel I2C interfaces

Central office switching

Telecommunication and data communication equipment

Networking



### NOTES

1. NC = NO CONNECT. DO NOT CONNECT TO THIS PIN

## FUNCTIONAL BLOCK DIAGRAM

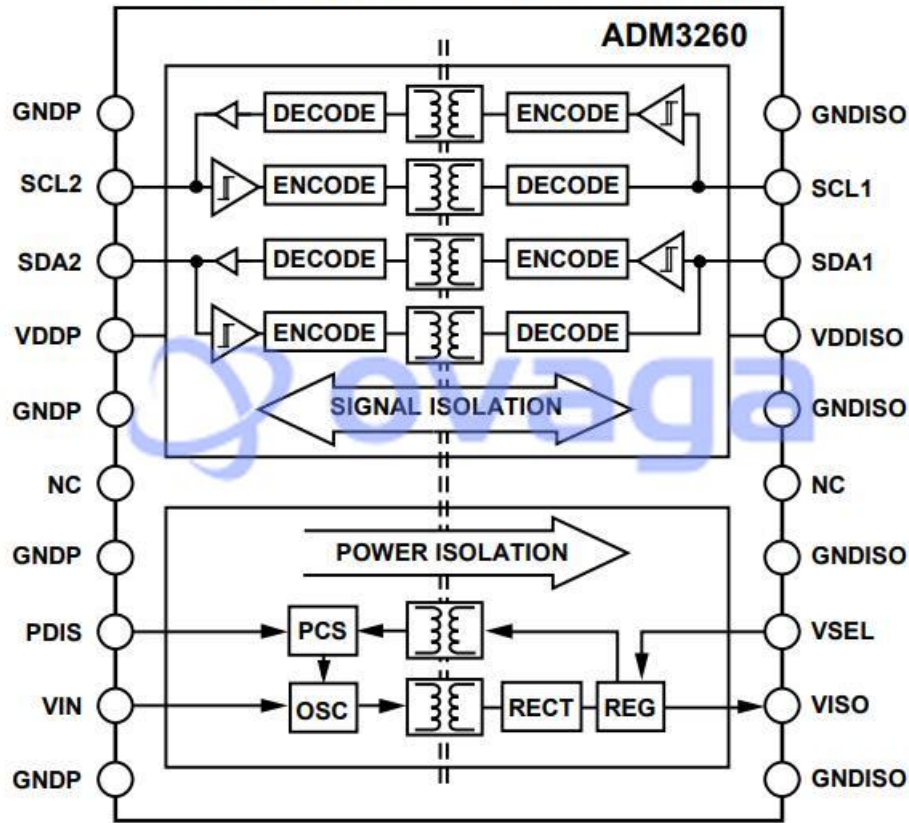


Figure 1.

11890-001

### Related Products



[ADV7181CBSTZ](#)  
Analog Devices, Inc  
LQFP-64



[AD8170AR](#)  
Analog Devices, Inc  
SOP8



[AD724JR](#)  
Analog Devices, Inc  
SOIC-16



[ADV7393BCPZ](#)  
Analog Devices, Inc  
LFCSP-VQ-40



[ADV7391WBCPZ](#)  
Analog Devices, Inc  
LFSCP-3



[ADV7390BCPZ](#)  
Analog Devices, Inc  
QFN32



[ADV7341BSTZ](#)  
Analog Devices, Inc  
LQFP-64



[ADUM4160BRIZ](#)  
Analog Devices, Inc  
SOIC-16