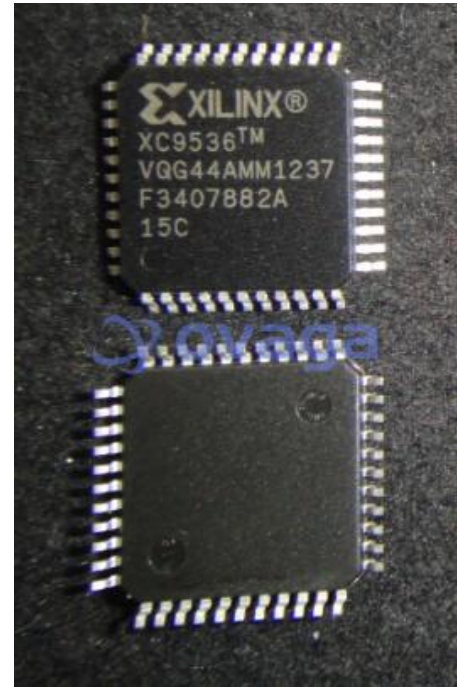


36 MACROCELL 5 VOLT ISP CPLD (IQ AUTOMOT

Manufacturers	AMD Xilinx, Inc
Package/Case	QFP44
Product Type	Programmable Logic ICs
RoHS	
Lifecycle	



Images are for reference only

Please submit RFQ for XC9536-15VQG44C or [Email to us: sales@ovaga.com](mailto:sales@ovaga.com) We will contact you in 12 hours.

RFQ

General Description

XC9536-15VQG44C is a field-programmable gate array (FPGA) from Xilinx, which is a leading manufacturer of programmable logic devices. It is a member of the Xilinx CoolRunner XPLA3 family of FPGAs and is available in a 44-pin very quad flat package (VQFP).

Features

36 macrocells and 600 usable gates

15 ns maximum pin-to-pin propagation delay

3.3V voltage supply

In-system programmable (ISP) using JTAG interface

IEEE 1149.1 (JTAG) boundary scan testing support

High-speed internal and external clocking options

Non-volatile, reprogrammable configuration memory

Schmitt trigger inputs for noise immunity

44-pin VQFP package for easy PCB integration

Application

Digital logic design and prototyping

System integration and glue logic

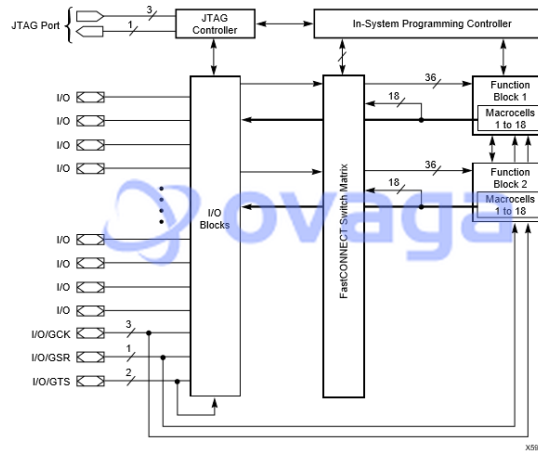
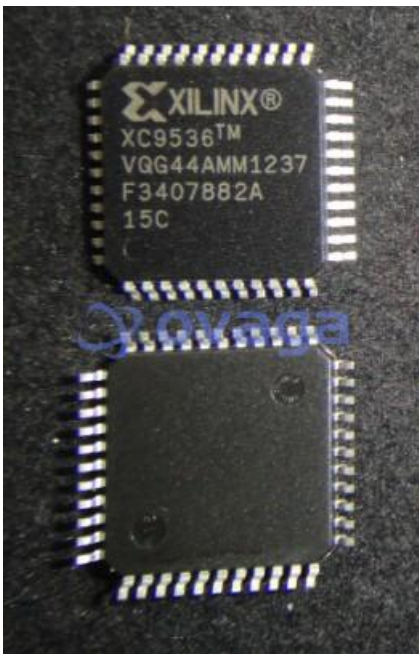
Industrial control systems

Embedded systems

Communications equipment

Consumer electronics

Automotive electronics

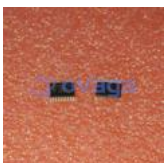


Related Products



[XC18V01S020C](#)

AMD Xilinx, Inc
SOP-20



[XCF04SV0G20C](#)

AMD Xilinx, Inc
TSSOP20



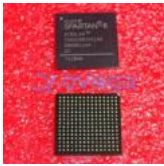
[XCF08PV0G48C](#)

AMD Xilinx, Inc
TSOP-48



[XC6SLX25-3FTG256C](#)

AMD Xilinx, Inc
BGA-256



[XC6SLX4-2CSG225C](#)

AMD Xilinx, Inc

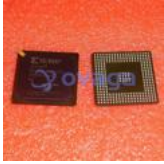
BGA-225



[XC6SLX16-3CSG324C](#)

AMD Xilinx, Inc

BGA-324



[XCV50-6BG256C](#)

AMD Xilinx, Inc

BGA256



[XCF32PVO48C](#)

AMD Xilinx, Inc

TSOP48