

256 Macrocell CPLD

Manufacturers	<a href="#">AMD Xilinx, Inc</a>
Package/Case	TQFP144
Product Type	Programmable Logic ICs
RoHS	
Lifecycle	



Images are for reference only

Please submit RFQ for XCR3256XL-12TQ144C or [Email to us: sales@ovaga.com](mailto:sales@ovaga.com) We will contact you in 12 hours.

RFQ

## General Description

XCR3256XL-12TQ144C is a Field Programmable Gate Array (FPGA) device manufactured by Xilinx, a leading provider of programmable logic solutions.

## Features

- 256 Macrocells
- 56 I/O pins
- 12ns maximum pin-to-pin delay
- 3.3V power supply
- 144-pin Thin Quad Flat Pack (TQFP) package

## Application

- Digital signal processing (DSP)
- Communication systems
- Video processing
- Industrial control
- Medical equipment
- Aerospace and defense

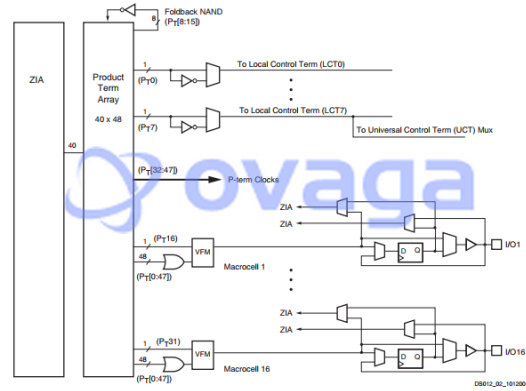


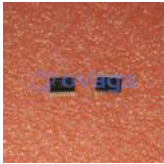
Figure 3: Xilinx CoolRunner XPLA3 Function Block Architecture

## Related Products



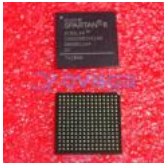
[XCF18V01S020C](#)

AMD Xilinx, Inc  
SOP-20



[XCF04SV0G20C](#)

AMD Xilinx, Inc  
TSSOP20



[XC6SLX4-2CSG225C](#)

AMD Xilinx, Inc  
BGA-225



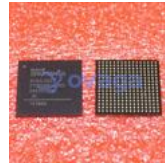
[XCV50-6BG256C](#)

AMD Xilinx, Inc  
BGA256



[XCF08PV0G48C](#)

AMD Xilinx, Inc  
TSOP-48



[XC6SLX25-3FTG256C](#)

AMD Xilinx, Inc  
BGA-256



[XC6SLX16-3CSG324C](#)

AMD Xilinx, Inc  
BGA-324



[XCF32PVO48C](#)

AMD Xilinx, Inc  
TSOP48