

Flash Memory, Parallel NOR, 16 Mbit, 1M x 16bit, Parallel, TSOP, 48 Pins

Manufacturers	Microchip Technology, Inc
Package/Case	TSOP-48
Product Type	Memory
RoHS	Rohs
Lifecycle	

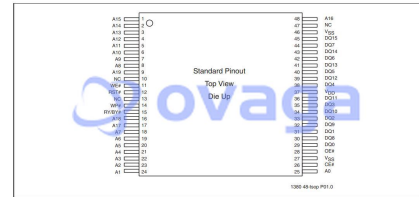


FIGURE 2: Pin Assignments for 48-Lead TSOP

Images are for reference only

Please submit RFQ for SST39VF1601C-70-4I-EKE or [Email to us: sales@ovaga.com](mailto:sales@ovaga.com) We will contact you in 12 hours.

[RFQ](#)

General Description

The SST39VF1601C device is 1M x16 CMOS Multi-Purpose Flash Plus (MPF+) manufactured with SST proprietary, high performance CMOS SuperFlash technology. The split-gate cell design and thick-oxide tunneling injector attain better reliability and manufacturability compared with alternate approaches. The SST39VF1601C writes (Program or Erase) with a 2.7-3.6V power supply. This device conforms to JEDEC standard pinouts for x16 memories.

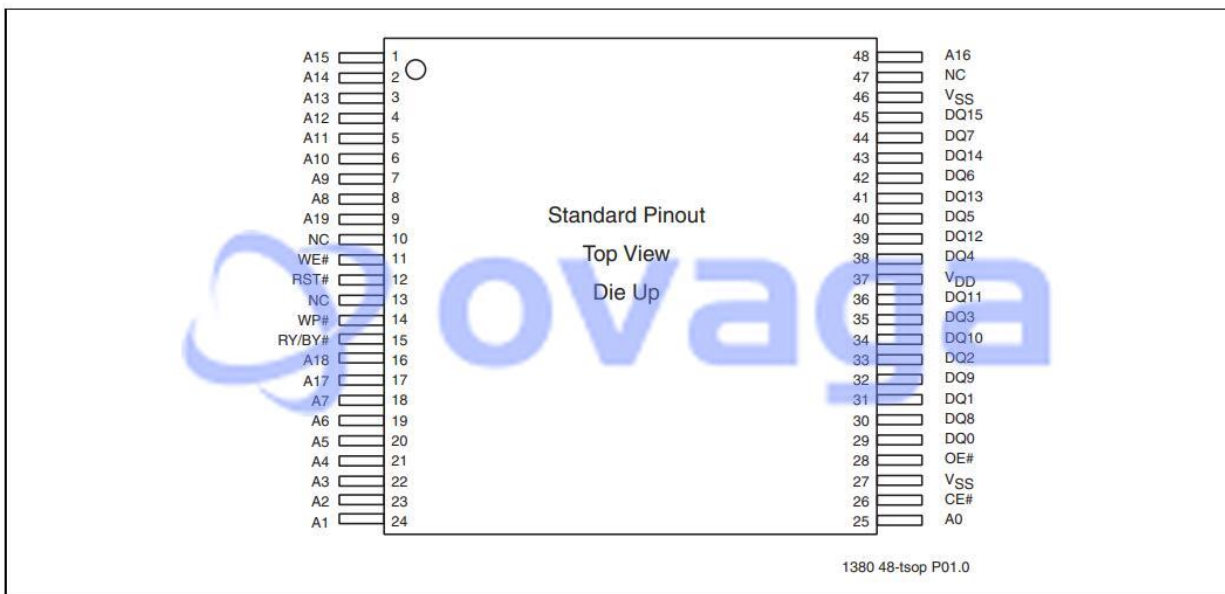


FIGURE 2: Pin Assignments for 48-Lead TSOP

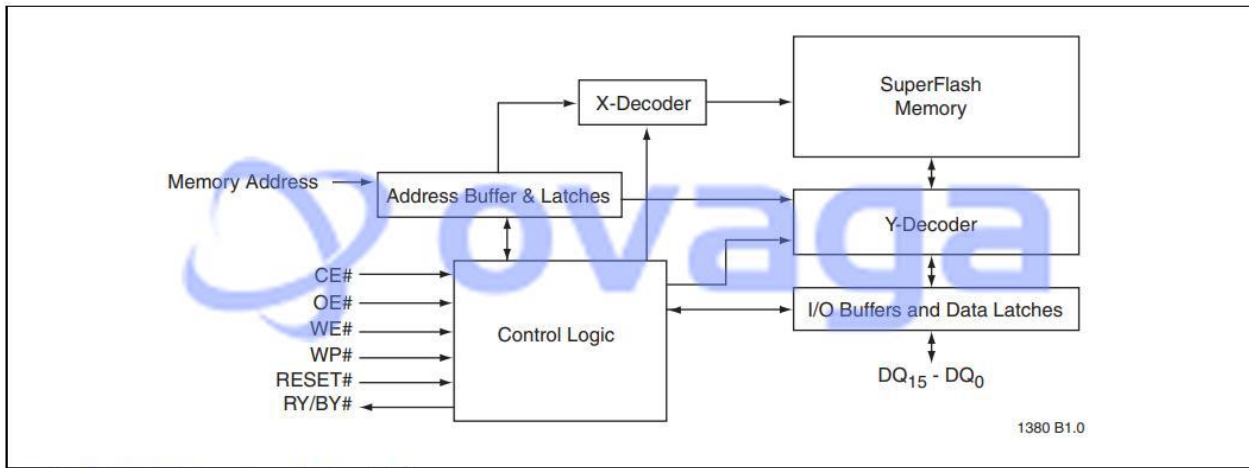


FIGURE 1: Functional Block Diagram

Related Products



[AT24CM02-SSHM-B](#)

Microchip Technology, Inc
SOIC-8



[AT24CM02-SSHD-B](#)

Microchip Technology, Inc
SOIC-8



[AT24C512C-SSHM-T](#)

Microchip Technology, Inc
SOIC-8



[SST25VF020B-80-4I-SAE-T](#)

Microchip Technology, Inc
SOIC-8



[SST39VF6401B-70-4I-EKE](#)

Microchip Technology, Inc
TSOP-48



[SST39VF3201-70-4C-B3KE](#)

Microchip Technology, Inc
TFBGA-48



[AT24CM01-SSHM-T](#)

Microchip Technology, Inc
SOIC-8



[AT24C04D-SSHM-T](#)

Microchip Technology, Inc
SOIC-8