

Dual 50MHz, Low Noise, Rail-to-Rail, CMOS Op Amp; Package: MSOP; No of Pins: 8;  
Temperature Range: 0°C to +70°C



Images are for reference only

Manufacturers	<a href="#">Analog Devices, Inc</a>
Package/Case	MSOP-8
Product Type	Amplifier ICs
RoHS	Pb-free Halide free
Lifecycle	

Please submit RFQ for LTC6244CMS8#PBF or [Email to us: sales@ovaga.com](mailto:sales@ovaga.com) We will contact you in 12 hours.

[RFQ](#)

## General Description

The LTC6244 is a dual high speed, unity-gain stable CMOS op amp that features a 50MHz gain bandwidth, 40V/ $\mu$ s slew rate, 1pA of input bias current, low input capacitance and rail-to-rail output swing. The 0.1Hz to 10Hz noise is just 1.5 $\mu$ VP-P and 1kHz noise is guaranteed to be less than 12nV/ $\sqrt$ Hz. This excellent AC and noise performance is combined with wide supply range operation, a maximum offset voltage of just 100 $\mu$ V and drift of only 2.5 $\mu$ V/ $^{\circ}$ C, making it suitable for use in many fast signal processing applications, such as photodiode amplifiers.

This op amp has an output stage that swings within 35mV of either supply rail to maximize the signal dynamic range in low supply applications. The input common mode range extends to the negative supply. It is fully specified on 3V and 5V, and an HV version guarantees operation on supplies of  $\pm$ 5V.

The LTC6244 is available in the 8-pin MSOP, and for compact designs, it is packaged in the tiny dual fine pitch lead free (DFN) package.

## Features

Input Bias Current: 1pA (Typ at 25°C)

Low Offset Voltage: 100μV Max

Low Offset Drift: 2.5μV/°C Max

0.1Hz to 10Hz Noise: 1.5μV-P

Slew Rate: 40V/μs

Gain Bandwidth Product: 50MHz

Output Swings Rail-to-Rail

Supply Operation:

2.8V to 6V LTC6244

2.8V to ±5.25V LTC6244HV

Low Input Capacitance: 2.1pF

Available in 8-Pin MSOP and Tiny DFN Packages

## Application

Photodiode Amplifiers

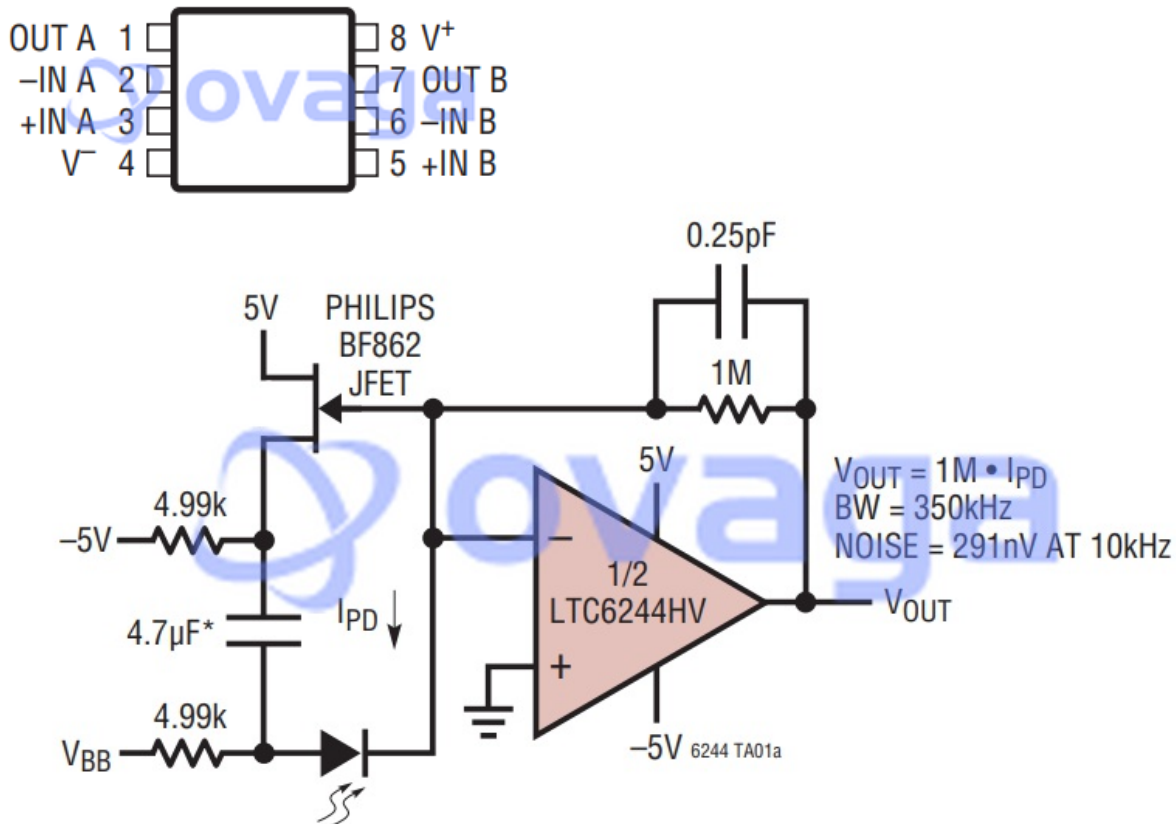
Charge Coupled Amplifiers

Low Noise Signal Processing

Active Filters

Medical Instrumentation

High Impedance Transducer Amplifier



## Related Products



[LTC1151CSW#PBF](#)

Analog Devices, Inc  
SOIC-16



[LT1498CS8](#)

Analog Devices, Inc  
SOP-8



[LTC2053CMS8](#)

Analog Devices, Inc  
MSOP8



[LTC1150CN8](#)

Analog Devices, Inc  
DIP8



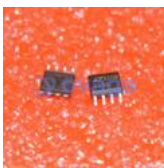
[LT1491ACS](#)

Analog Devices, Inc  
SOP14



[LT6105IMS8](#)

Analog Devices, Inc  
MSOP-8



[LTC1150CS8](#)

Analog Devices, Inc  
SOP8



[LT1013CN8](#)

Analog Devices, Inc  
DIP-8