

Dual High Speed, Low Noise Op Amp; Package: MSOP; No of Pins: 8; Temperature Range: Industrial

Manufacturers	Analog Devices, Inc
Package/Case	MSOP-8
Product Type	Amplifier ICs
RoHS	Rohs
Lifecycle	

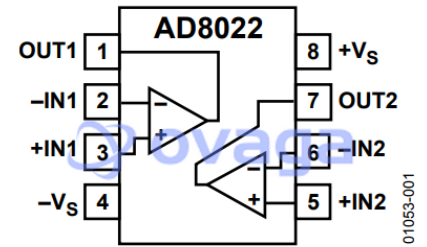


Figure 1.

Images are for reference only

Please submit RFQ for AD8022ARMZ-REEL7 or [Email to us: sales@ovaga.com](mailto:sales@ovaga.com) We will contact you in 12 hours.

[RFQ](#)

General Description

In an xDSL line interface circuit, the AD8022's op amps can be configured as the differential receiver from the line transformer or as independent active filters.

Features

Low power amplifiers provide low noise and low distortion, ideal for xDSL modem receiver

Wide supply range: +5 V, ± 2.5 V to ± 12 V voltage supply

Low power consumption 4.0 mA/amp

Voltage feedback Ease of use Lower total noise (insignificant input current noise contribution compared to current feedback amps)

Low noise and distortion 2.5 nV/ $\sqrt{\text{Hz}}$ voltage noise @ 100 kHz 1.2 pA/ $\sqrt{\text{Hz}}$ current noise MTPR < -66 dBc>

High speed 130 MHz bandwidth (-3 dB), >

High output swing ± 10.1 V on ± 12 V supply

Low offset voltage, 1.5 mV typical

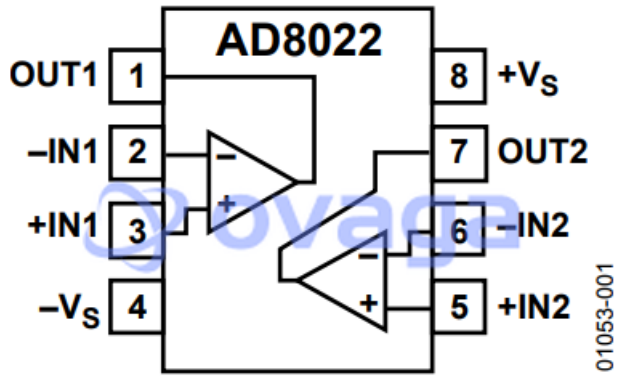


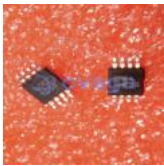
Figure 1.

Related Products



[AD8418BRMZ-RL](#)

Analog Devices, Inc
MSOP-8



[ADA4084-2ARMZ](#)

Analog Devices, Inc
MSOP-8



[AD8567ARUZ](#)

Analog Devices, Inc
TSSOP-14



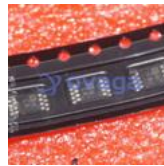
[AD8022ARMZ](#)

Analog Devices, Inc
MSOP-8



[ADA4528-2ARMZ-R7](#)

Analog Devices, Inc
MSOP-8



[AD8062ARMZ](#)

Analog Devices, Inc
MSOP8



[AD8628AUJZ](#)

Analog Devices, Inc
SOP23



[AD8041AR](#)

Analog Devices, Inc
SOP-8