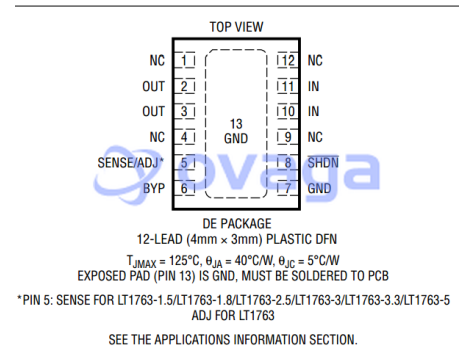


IC REG LDO ADJ 0.5A 12DFN

Manufacturers	Analog Devices, Inc
Package/Case	QFN-12
Product Type	Power Management ICs
RoHS	Pb-free Halide free
Lifecycle	



Images are for reference only

Please submit RFQ for LT1763IDE#PBF or [Email to us: sales@ovaga.com](mailto:sales@ovaga.com) We will contact you in 12 hours. [RFQ](#)

General Description

The LT1763 series are micropower, low noise, low dropout regulators. The devices are capable of supplying 500mA of output current with a dropout voltage of 300mV. Designed for use in battery-powered systems, the low 30µA quiescent current makes them an ideal choice. Quiescent current is well controlled; it does not rise in dropout as it does with many other regulators.

A key feature of the LT1763 regulators is low output noise. With the addition of an external 0.01µF bypass capacitor, output noise drops to 20µVRMS over a 10Hz to 100kHz bandwidth. The LT1763 regulators are stable with output capacitors as low as 3.3µF. Small ceramic capacitors can be used without the series resistance required by other regulators.

Internal protection circuitry includes reverse battery protection, current limiting, thermal limiting and reverse current protection. The parts come in fixed output voltages of 1.5V, 1.8V, 2.5V, 3V, 3.3V and 5V, and as an adjustable device with a 1.22V reference voltage. The LT1763 regulators are available in 8-lead SO and 12-lead, low profile (4mm × 3mm × 0.75mm) DFN packages.

Features

Low Noise: 20 μ VRMS (10Hz to 100kHz)

Output Current: 500mA

Low Quiescent Current: 30 μ A

Wide Input Voltage Range: 1.8V to 20V

Low Dropout Voltage: 300mV

Very Low Shutdown Current: < 1 μ A

No Protection Diodes Needed

Fixed Output Voltages: 1.5V, 1.8V, 2.5V, 3V, 3.3V, 5V

Adjustable Output from 1.22V to 20V

Stable with 3.3 μ F Output Capacitor

Stable with Aluminum, Tantalum or Ceramic Capacitors

Reverse Battery Protection

No Reverse Current

Overcurrent and Overtemperature Protected

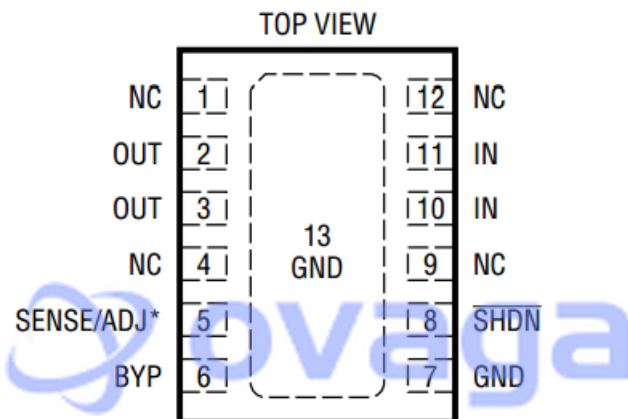
8-Lead SO and 12-Lead (4mm \times 3mm) DFN Packages

Application

Cellular Phones

Battery-Powered Systems

Noise-Sensitive Instrumentation Systems



DE PACKAGE

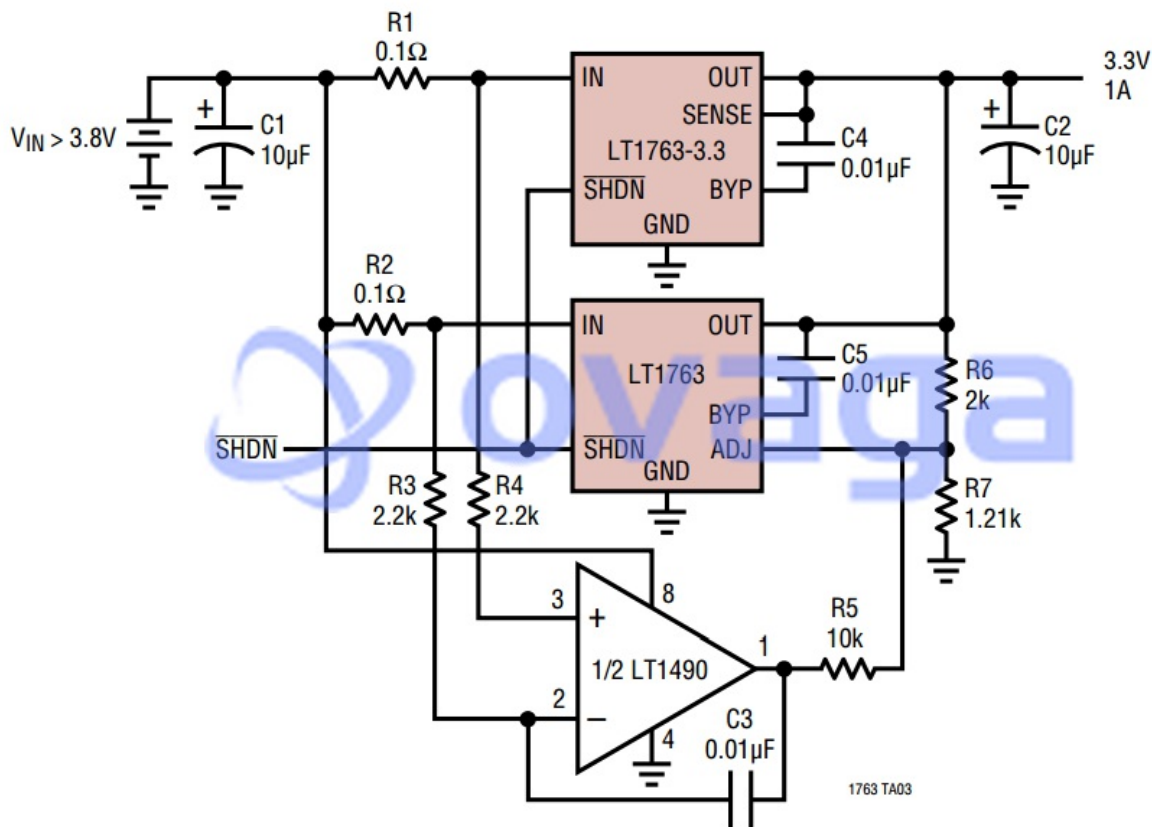
12-LEAD (4mm \times 3mm) PLASTIC DFN

$T_{JMAX} = 125^{\circ}\text{C}$, $\theta_{JA} = 40^{\circ}\text{C/W}$, $\theta_{JC} = 5^{\circ}\text{C/W}$

EXPOSED PAD (PIN 13) IS GND, MUST BE SOLDERED TO PCB

*PIN 5: SENSE FOR LT1763-1.5/LT1763-1.8/LT1763-2.5/LT1763-3/LT1763-3.3/LT1763-5
ADJ FOR LT1763

SEE THE APPLICATIONS INFORMATION SECTION.



Related Products



[LT3763EFE](#)

Analog Devices, Inc
TSSOP28



[LTC4417IUF](#)

Analog Devices, Inc
QFN-24



[LTC1966CMS8#PBF](#)

Analog Devices, Inc
MSOP-8P



[LTM8045EY#PBF](#)

Analog Devices, Inc
BGA40



[LT1038CK](#)

Analog Devices, Inc
TO-3



[LTC3440EMS](#)

Analog Devices, Inc
MSOP10



[LTC2990IMS#PBF](#)

Analog Devices, Inc
10MSOP



[LT4295IUFD#PBF](#)

Analog Devices, Inc
28-WFQFN