

SMOS Supervisors IC, 3V-5.5Vsupp., 4.65V threshold/200ms delay, Active-High, Active-Low, WSOIC-16

Manufacturers	<a href="#">Analog Devices, Inc</a>
Package/Case	SOP-16
Product Type	PMIC - Supervisors
RoHS	Rohs
Lifecycle	



Images are for reference only

Please submit RFQ for ADM699ARZ or [Email to us: sales@ovaga.com](mailto:sales@ovaga.com) We will contact you in 12 hours.

[RFQ](#)

## General Description

The ADM698 monitors the 5 V VCC power supply and generates a RESET pulse during power up, power down and during low voltage "Brown Out" conditions. The RESET output is guaranteed to be functional (logic low) with VCC as low as 1 V.

The ADM699 features an identical monitoring circuit as in the ADM698 plus an additional watchdog timer input to monitor microprocessor activity. The RESET output is forced low if the watchdog input is not toggled within the 1 second watchdog timeout period.

Both parts are available in 8-pin plastic DIP and 16-lead SOIC packages. The 16-lead SOIC contains additional outputs RESET (without inversion) and Watchdog Output WDO (ADM699 only).

## Features

Superior Upgrade for MAX698/MAX699

Guaranteed RESET Assertion with

Low 0.6 mA Supply Current

Precision 4.65 V Voltage Monitor

Power OK/Reset Time Delay

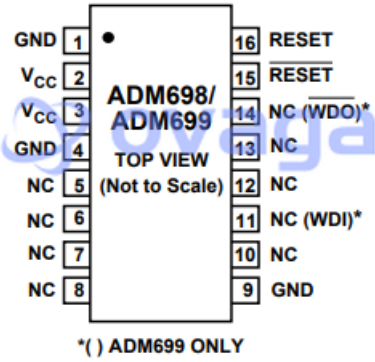
Watchdog Timer

Minimum Component Count

Performance Specified over Temperature



**PIN CONFIGURATION (SOIC)**



**Related Products**



[ADP3336ARMZ-REEL7](#)

Analog Devices, Inc  
MSOP-8



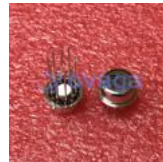
[AD737JRZ](#)

Analog Devices, Inc  
SOP-8



[ADP3367ARZ](#)

Analog Devices, Inc  
SOIC-8



[AD636JH](#)

Analog Devices, Inc  
TO-100-10



[ADP3330ARTZ3.3-RL7](#)

Analog Devices, Inc  
SOT-23-6



[ADR434BRZ](#)

Analog Devices, Inc  
SOIC-8



[ADR421ARZ](#)

Analog Devices, Inc  
SOP-8



[ADR3412ARJZ-R7](#)

Analog Devices, Inc  
SOT-23-6