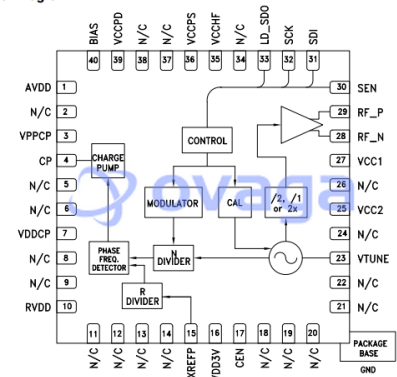


PLL Single 795MHz to 945/1590MHz to 1890/3180MHz to 3780MHz 40Pin QFN Bulk

Manufacturers	<a href="#">Analog Devices, Inc</a>
Package/Case	QFN-40
Product Type	Clock Generators
RoHS	Green
Lifecycle	



Images are for reference only

Please submit RFQ for HMC838LP6CE or [Email to us: sales@ovaga.com](mailto:sales@ovaga.com) We will contact you in 12 hours.

[RFQ](#)

## General Description

The HMC838LP6CE is a fully functioned Fractional-N Phase-Locked-Loop (PLL) Frequency Synthesizer with an Integrated Voltage Controlled Oscillator (VCO). The synthesizer consists of an integrated low noise VCO with a triband output, an autocalibration subsystem for low voltage VCO tuning, a very low noise digital Phase Detector (PD), a precision controlled charge pump, a low noise reference path divider and a fractional divider.

The fractional synthesizer features an advanced delta-sigma modulator design that allows both ultra-fine step sizes and low spurious products. The phase detector (PD) features cycle slip prevention (CSP) technology to allow faster frequency hopping times. Ultra low in-close phase noise and low spurious also allows wider loop bandwidths for faster frequency hopping and low micro-phonics.

For theory of operation and register map refer to the "PLLs with Integrated VCO - RF VCOs" Operating Guide.

## Features

RF Bandwidth: 795 - 945, 1590 - 1890, 3180 - 3780 MHz

Fractional or Integer Modes

19-Bit Prescaler

Ultra Low Phase Noise -111 dBc/Hz in Band Typ.

Figure of Merit (FOM) -230 dBc Integer

24-Bit Step Size, 3 Hz Resolution Typ.

200 MHz, 14-bit Reference Path Input

Cycle Slip Prevention

40 Lead 6x6mm SMT Package: 36mm<sup>2</sup>

## Application

Cellular/4G Infrastructure

Repeaters and Femtocells

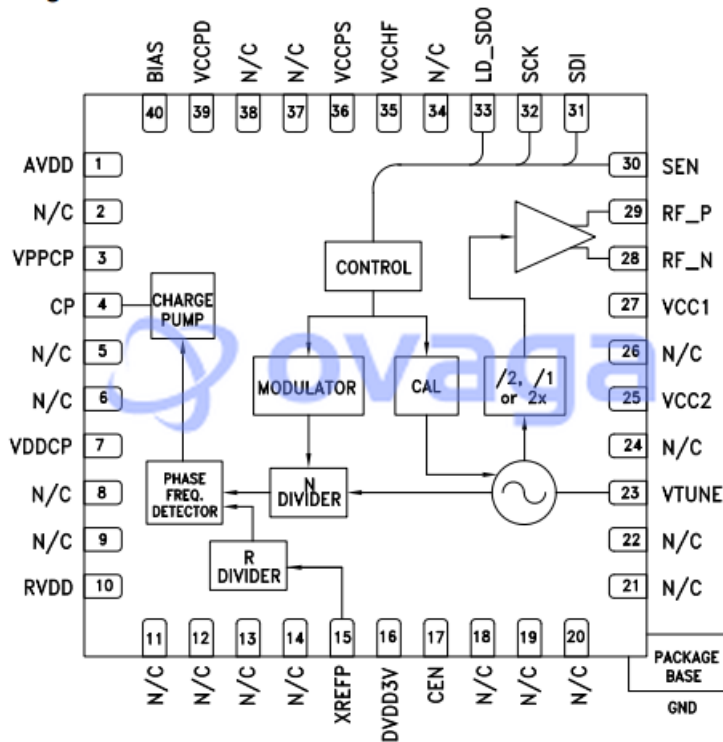
Communications Test Equipment

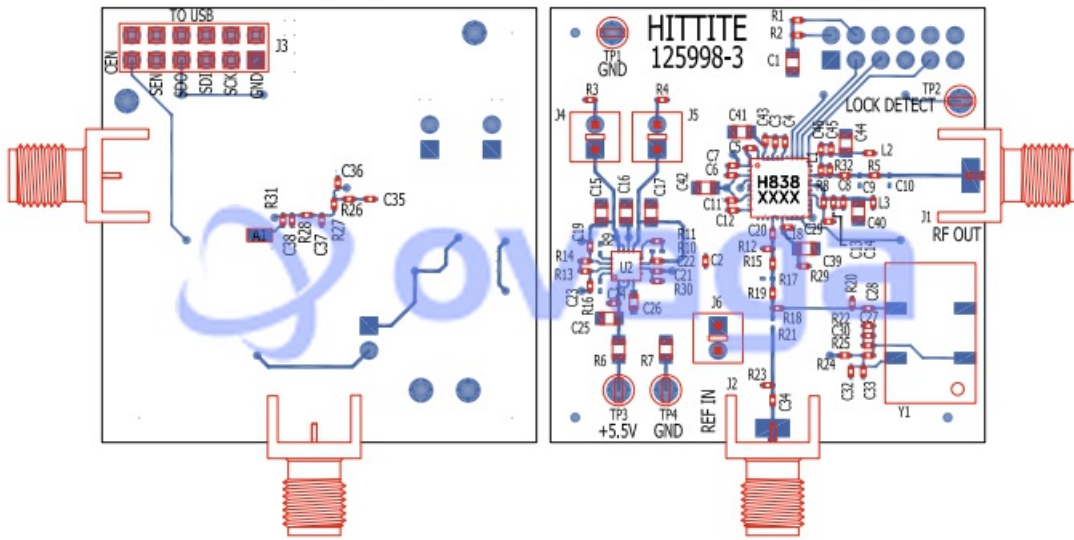
CATV Equipment

Phased Array Applications

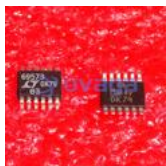
DDS Replacement

Very High Data Rate Radios





**Related Products**



[LTC6957HMS-3#PBF](#)

Analog Devices, Inc  
MSOP-12



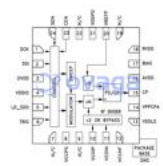
[HMC769LP6CE](#)

Analog Devices, Inc  
40-QFN



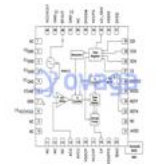
[HMC987LP5E](#)

Analog Devices, Inc  
32-VFQFN



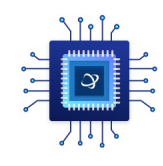
[HMC703LP4E](#)

Analog Devices, Inc  
QFN-24



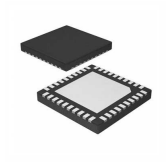
[HMC807LP6CETR](#)

Analog Devices, Inc  
QFN40



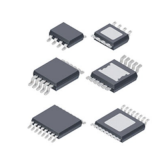
[HMC1031MS8E](#)

Analog Devices, Inc  
8-MS8E



[HMC835LP6GE](#)

Analog Devices, Inc  
QFN40



[LTC6957HMS-1#PBF](#)

Analog Devices, Inc  
MSOP-12