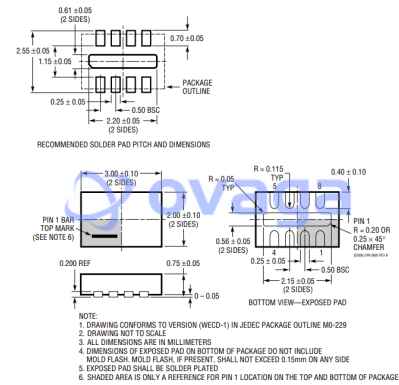


Conv DC-DC 2.3V to 16V Step Up Single-Out 40V Micropower 8-Pin DFN EP T/R

Manufacturers	<a href="#">Analog Devices, Inc</a>
Package/Case	DFN8
Product Type	Power Management ICs
RoHS	Pb-free Halide free
Lifecycle	



Images are for reference only

Please submit RFQ for LT3494AEDDB#TRMPBF or [Email to us: sales@ovaga.com](mailto:sales@ovaga.com) We will contact you in 12 hours.

[RFQ](#)

## General Description

The LT3494/LT3494A are low noise boost converters with integrated power switch, Schottky diode and output disconnect circuitry. The parts use a novel\* control technique resulting in low output voltage ripple as well as high efficiency over a wide load current range. This technique guarantees that the switching frequency stays above the audio band for the entire load range. The parts feature a high performance NPN power switch with a 350mA and 180mA current limit for the LT3494A and LT3494 respectively. The quiescent current is a low 65µA, which is further reduced to less than 1µA in shutdown. The internal disconnect circuitry allows the output voltage to be isolated from the input during shutdown. An auxiliary reference input (CTRL pin) overrides the internal 1.225V feedback reference with any lower value allowing full control of the output voltage during operation. The LT3494/LT3494A are available in a tiny 8-lead 3mm × 2mm DFN package.

## Features

Low Quiescent Current

Switching Frequency is Non-Audible Over Entire Load Range

Integrated Power NPN:

Integrated Schottky Diode

Integrated Output Disconnect

Integrated Output Dimming

Wide Input Range: 2.3V to 16V

Wide Output Range: Up to 40V

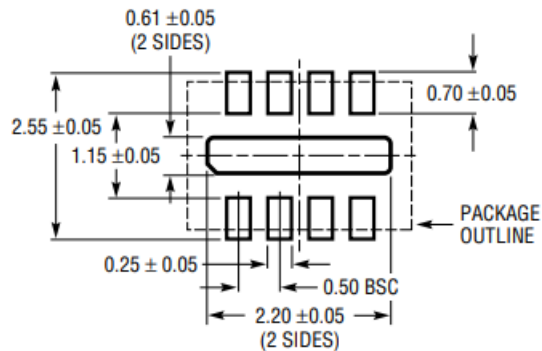
Tiny 8-Lead 3mm × 2mm DFN Package

## Application

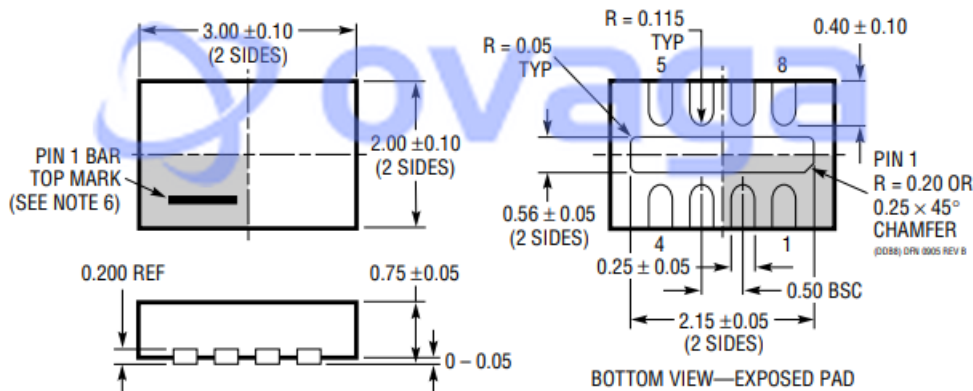
OLED Power

Low Noise Power

MP3 Players

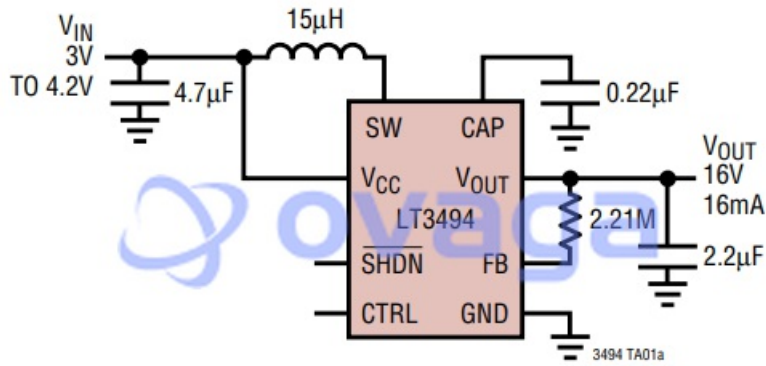


RECOMMENDED SOLDER PAD PITCH AND DIMENSIONS



**NOTE:**

1. DRAWING CONFORMS TO VERSION (WECD-1) IN JEDEC PACKAGE OUTLINE M0-229
2. DRAWING NOT TO SCALE
3. ALL DIMENSIONS ARE IN MILLIMETERS
4. DIMENSIONS OF EXPOSED PAD ON BOTTOM OF PACKAGE DO NOT INCLUDE MOLD FLASH. MOLD FLASH, IF PRESENT, SHALL NOT EXCEED 0.15mm ON ANY SIDE
5. EXPOSED PAD SHALL BE SOLDER PLATED
6. SHADED AREA IS ONLY A REFERENCE FOR PIN 1 LOCATION ON THE TOP AND BOTTOM OF PACKAGE



## Related Products



### [LT3763EFE](#)

Analog Devices, Inc  
TSSOP28



### [LT1038CK](#)

Analog Devices, Inc  
TO-3



### [LTC4417IUF](#)

Analog Devices, Inc  
QFN-24



### [LTC3440EMS](#)

Analog Devices, Inc  
MSOP10



### [LTC1966CMS8#PBF](#)

Analog Devices, Inc  
MSOP-8P



### [LTC2990IMS#PBF](#)

Analog Devices, Inc  
10MSOP



### [LTM8045EY#PBF](#)

Analog Devices, Inc  
BGA40



### [LT4295IUFD#PBF](#)

Analog Devices, Inc  
28-WFQFN