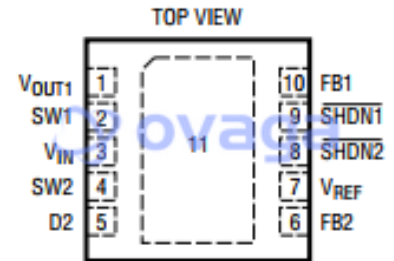


Conv DC-DC 2.4V to 15V Non-Inv/Inv/Step Up/Step Down Dual-Out 1.25V to 40V/-40V  
 Micropower 10-Pin DFN EP Tube



Images are for reference only

Manufacturers	<a href="#">Analog Devices, Inc</a>
Package/Case	DFN-10P
Product Type	Power Management ICs
RoHS	Pb-free Halide free
Lifecycle	

Please submit RFQ for LT3463EDD#PBF or [Email to us: sales@ovaga.com](mailto:sales@ovaga.com) We will contact you in 12 hours. [RFQ](#)

## General Description

The LT3463/LT3463A are dual micropower DC/DC converters with internal Schottky diodes in a 10-lead 3mm × 3mm DFN package. Negative and positive LT3463 converters have a 250mA current limit. The LT3463A positive converter also has a 250mA limit, while the negative converter has a 400mA limit. Both devices have an input voltage range of 2.4V to 15V, making them ideal for a wide variety of applications. Each converter features a quiescent current of only 20µA, which drops to under 1µA in shutdown. A current limited, fixed off-time control scheme conserves operating current, resulting in high efficiency over a broad range of load current. The 42V switch enables high voltage outputs up to ±40V to be easily generated without the use of costly transformers. The low 300ns offtime permits the use of tiny, low profile inductors and capacitors to minimize footprint and cost in space-conscious portable applications.

## Features

Generates Well-Regulated Positive and Negative Outputs

Low Quiescent Current:

20 $\mu$ A (per Converter) in Active Mode

Internal 42V Power Switches

Internal 42V Schottky Diodes

Low VCESAT Switch: 180mV at 150mA

Input Voltage Range: 2.4V to 15V

High Output Voltages: Up to  $\pm$ 40V

Low Profile (0.8mm) 3mm  $\times$  3mm DFN Package

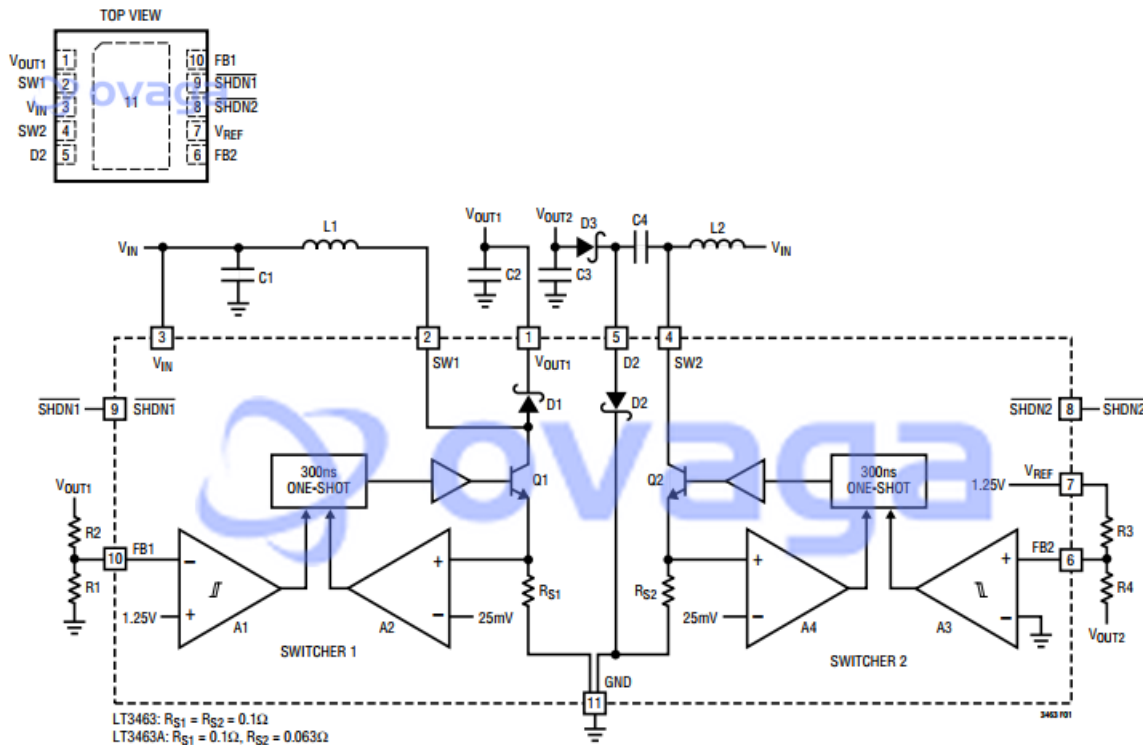
## Application

CCD Bias

LCD Bias

Handheld Computers

Digital Cameras



## Related Products



[LT3763EFE](#)

Analog Devices, Inc

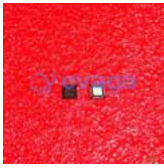
TSSOP28



[LT1038CK](#)

Analog Devices, Inc

TO-3



[LTC4417IUF](#)

Analog Devices, Inc  
QFN-24



[LTC3440EMS](#)

Analog Devices, Inc  
MSOP10



[LTC1966CMS8#PBF](#)

Analog Devices, Inc  
MSOP-8P



[LTC2990IMS#PBF](#)

Analog Devices, Inc  
10MSOP



[LTM8045EY#PBF](#)

Analog Devices, Inc  
BGA40



[LT4295IUFD#PBF](#)

Analog Devices, Inc  
28-WFQFN