

Field Programmable Gate Arrays (XC3000A/L, XC3100A/L)

Manufacturers	AMD Xilinx, Inc
Package/Case	PLCC84
Product Type	Programmable Logic ICs
RoHS	
Lifecycle	



Images are for reference only

Please submit RFQ for XC3190A-3PC84C or [Email to us: sales@ovaga.com](mailto:sales@ovaga.com) We will contact you in 12 hours.

[RFQ](#)

General Description

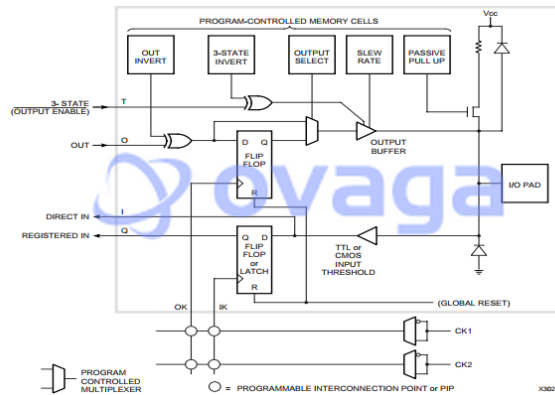
XC3190A-3PC84C is an FPGA (Field-Programmable Gate Array) manufactured by Xilinx, a leading company in the FPGA industry.

Features

- It has a gate count of 190,000.
- It has 288 CLBs (Configurable Logic Blocks) and 5,184 logic cells.
- It has 4 global clock lines and 16 dedicated clock lines.
- It has 4 DLLs (Delay-Locked Loops) and 4 phase-locked loops (PLLs) for clock management.
- It has 72 I/O pins with a maximum operating frequency of 200 MHz.
- It supports various I/O standards such as LVTTTL, LVCMOS, HSTL, SSTL, and LVDS.

Application

- Digital signal processing in telecommunications
- Image processing and pattern recognition
- High-speed networking
- Military and aerospace applications
- Video processing and display
- Medical equipment



Related Products



[XCF18V01S020C](#)

AMD Xilinx, Inc
SOP-20



[XCF04SV0G20C](#)

AMD Xilinx, Inc
TSSOP20



[XC6SLX4-2CSG225C](#)

AMD Xilinx, Inc
BGA-225



[XCV50-6BG256C](#)

AMD Xilinx, Inc
BGA256



[XCF08PV0G48C](#)

AMD Xilinx, Inc
TSOP-48



[XC6SLX25-3FTG256C](#)

AMD Xilinx, Inc
BGA-256



[XC6SLX16-3CSG324C](#)

AMD Xilinx, Inc
BGA-324



[XCF32PVO48C](#)

AMD Xilinx, Inc
TSOP48